



**Built-in Oven**  
User Manual  
**Einbau-Backofen**  
Gebrauchsanleitung



BBIE110N0X

**EN / DE**

385.4404.02/R.AA/26.08.2021/3-1  
7739182916

# Dear Customer,

## Please read this manual before using the product.

Beko thank you for choosing the product. We want your product, manufactured with high quality and technology, to offer you the best efficiency. To do this, carefully read this manual and any other documentation provided before using the product and keep it as a reference. If you give the product to someone else, give the manual with it. Follow the instructions, taking into account all the information and warnings stated in the user manual.

Heed all information and warnings in the user manual. This way, you will protect yourself and your product against the dangers that may occur.

Keep the user manual. If you give the product to someone else, give the manual with it. The user manual contains the following symbols:



Hazard that may result in death or injury.

**NOTICE** Hazard that may result in material damage to the product or its environment.



Hazard that may result in burns due to contact with hot surfaces.



Important information or useful usage tips.



Read the user manual.



**Arçelik A.Ş.**  
Karaağaç caddesi No:2-6  
34445 Sütlüce/Istanbul/TURKEY  
Made in TURKEY

This product was manufactured using the latest technology in environmentally friendly conditions.

---

# TABLE OF CONTENTS

## **1 Safety instructions 4**

Purpose of usage.....	4
Child, vulnerable person and pet safety.....	4
Electrical safety.....	5
Transportation safety.....	7
Installation safety.....	7
Safety of use.....	7
Temperature warnings.....	8
Accessory use.....	8
Cooking safety.....	9
Maintenance and cleaning safety.....	9

## **2 Environmental Instructions 11**

Waste regulation.....	11
Compliance with the WEEE Directive and Disposing of the Waste Product.....	11
Package information.....	11
Recommendations for energy saving.....	11

## **3 Your product 12**

Product introduction.....	12
Product control panel introduction and usage .....	13
Oven control.....	13
Oven operating functions.....	14
Product accessories.....	15
Use of product accessories.....	16
Technical specifications.....	19

## **4 First use 20**

First cleaning.....	20
---------------------	----

## **5 How to operate the oven 21**

General information on oven usage.....	21
Operation of the oven control unit.....	21

## **6 General information about cooking 22**

General warnings about cooking in the oven .....	22
Pastries and oven food.....	22
Meat, Fish and Poultry.....	24
Grill.....	25
Test foods.....	26

## **7 Maintenance and care 27**

General cleaning information.....	27
Cleaning the accessories.....	28
Cleaning the control panel.....	28
Cleaning the inside of the oven (cooking area) .....	28
Easy Steam Cleaning.....	29
Cleaning the oven door.....	30
Removing the inner glass of the oven door.....	31
Cleaning the oven lamp.....	32

## **8 Troubleshooting 34**

## **1 Safety instructions**

- This section contains safety instructions that will help prevent any risks of personal injuries or material damage.
  - If the product is transferred to another person or used second hand, the operating manual, product labels, other relevant documents and accessories should be delivered with the product.
  - Our company shall not be held responsible for any damage that may occur as a result of failure to comply with these instructions.
  - Failure to comply with these instructions shall render any warranty void.
  - **⚠** Always have the installation and repair work performed by the manufacturer, the authorized service or a person specified by the importer.
  - **⚠** Use genuine spare parts and accessories only.
  - **⚠** Do not attempt to repair or replace any part of the product unless it is clearly specified in the operating manual.
  - **⚠** Do not perform technical modifications on the product.
- ⚠ Purpose of usage**
- This product is designed for home use. It is not suitable for commercial use.
  - Do not use the product in gardens, balconies or other outdoor environments. The appliance is intended to be used in household and staff kitchen areas in shops, offices and other working environments.
  - **WARNING:** This product should be used for cooking purposes only. It should not be used for different purposes, such as heating the room.
  - The oven can be used to defrost, bake, fry and grill food.
  - This product; should not be used for heating, plate heating, hanging towels or clothes on the handle for drying.
- ⚠ Child, vulnerable person and pet safety**
- This product can be used by children 8 years of age and

- older, and people who are underdeveloped in physical, sensory or mental skills, or lack of experience and knowledge, as long as they are supervised or trained about the safe use and hazards of the product.
- Children should not play with the product. Cleaning and user maintenance should not be performed by children unless there is someone overseeing them.
  - This product should not be used by people with limited physical, sensory or mental capacity (including children), unless they are kept under supervision or receive the necessary instructions.
  - Children should be supervised to ensure that they do not play with the product.
  - Electrical products are dangerous for children and pets. Children and pets must not play with, climb on, or enter the product.
  - Do not put objects that children may reach on the product.
  - **WARNING:** During use, the accessible surfaces of the

product are hot. Keep children away from the product.

- Keep the packaging materials out of the reach of children. There is a hazard of injury and suffocation.
- When the door is open, do not put any heavy objects on it or allow children to sit on it. You may cause the oven to tip over or damage the door hinges.
- **(Not all products are supplied with a plug, so if your product DOES have a plug)** For the safety of children, disconnect the power plug and make the product inoperable before disposing of the product.



### **Electrical safety**

- Connect the product into a grounded outlet protected by a fuse that matches the current ratings indicated on the type label. Have the grounding installation made by a qualified electrician. Do not use the product without grounding in accordance with local / national regulations.
- The plug or the electrical connection of the product

- should be in an easily accessible place (where it will not be affected by the flame of the stove). If this is not possible, there should be a mechanism (fuse, switch, switch, etc.) on the electrical installation to which the product is connected, in compliance with the electrical regulations and separating all poles from the network.
- The product must not be connected into the outlet during installation, repair, and transportation.
  - Connect the product into an outlet that meets the voltage and frequency values specified on the type label.
  - **(Not all products are supplied with a supply cord, so if your product DOES NOT have a supply cord)**  
Use only the connecting cable specified in the "Technical specifications" section.
  - Do not jam the power cord under and behind the product. Do not put a heavy object on the power cord. The power cord should not be bent, crushed, and come into contact with any heat source.
  - While the oven is operating, its back surface also gets hot. Power cords must not touch the back surface, connections may be damaged.
  - Do not jam the electric cables into the oven door and pass them over hot surfaces. You may cause the oven to short circuit and catch fire as a result of the cable melting.
  - Use original cable only. Do not use cut or damaged cables or extension leads.
  - If the power cord is damaged, it must be replaced by a manufacturer, an authorized service or a person to be specified by the importer company in order to prevent possible dangers.
  - **WARNING:** Before replacing the oven lamp, be sure to disconnect the product from the mains supply to avoid the risk of electric shock. Switch off the product or turn off the fuse from the fuse box.

**(Not all products are supplied with a plug, so if your product DOES have a plug)**

- Do not plug the product into an outlet that is loose, has come out of its socket, is broken, dirty, oily, with risk of water contact (for example, water that may leak from the counter).
- Never touch the plug with wet hands! To unplug, do not hold the cord, always hold the plug.
- Make sure that the product plug is securely plugged into the outlet to avoid arcing.

** Transportation safety**

- Disconnect the product from the mains before transporting the product.
- The product is heavy, carry the product with at least two people.
- Do not use the door and / or handle to transport or move the product.
- Do not put other items on the product and carry the product upright.
- When you need to transport the product, wrap it with bubble wrap packaging material or thick cardboard

and tape it tightly. Secure the product tightly with tape to prevent the removable or moving parts of the product and the product from damage.

- Check the overall appearance of the product for any damage that may have occurred during transportation.

** Installation safety**

- Before the product is installed, check the product for any damage. If the product is damaged, do not install it.
- Do not install the product near heat sources (radiators, stoves, etc.).
- Keep all ventilation ducts open around the product.
- To prevent overheating, the product should not be installed behind decorative doors.

** Safety of use**

- Make sure that the product is turned off after each use.
- If you do not use the product for a long time, disconnect it or turn off the fuse from the fuse box.

- Do not operate defective or damaged product. If any, disconnect the electricity / gas connections of the product and call the authorized service.
- Do not use the product with the front door glass removed or broken.
- Do not climb on the product to reach anything or for any other reason.
- Do not use the product in situations that may affect your judgment, such as drug intake and / or alcohol use.
- Flammable objects kept in the cooking area may catch fire. Never store flammable objects in the cooking area.
- The oven handle is not a towel dryer. When using the product, do not hang towels, gloves or similar textiles.
- The hinges of the product door move and tighten when opening and closing the door. When opening / closing the door, do not hold the part with the hinges.



### **Temperature warnings**

- **WARNING:** While the product is operating, exposed parts will be hot. Do

not touch the product and heating elements. Children under the age of 8 should not be brought close to the product without an adult.

- Do not place flammable / explosive materials near the product, as the edges will be hot while it is operating.
- As steam may be exhaled, keep away while opening the oven door. The steam may burn your hand, face and / or eyes.
- The product may be hot during use. Do not touch the hot compartments, the interior parts of the oven, the heating elements, etc.
- When placing food in the hot oven, removing the food, etc. always use heat resistant oven gloves.



### **Accessory use**

- It is important that the wire grill and tray are placed properly on the wire shelves. For detailed information, refer to the section "Usage of accessories".
- Accessories can damage the door glass when closing the product door. Always push



the accessories to the end of the cooking area.



### **Cooking safety**

- Be careful when using alcohol in your food. Alcohol evaporates at high temperatures and may catch fire when exposed to hot surfaces, causing a fire.
- Food waste, oil, etc. in the cooking area may catch fire. Before cooking, remove such coarse dirt.
- Food Poisoning Hazard: Do not keep food in the oven for more than an hour before and after cooking. Otherwise it may cause food poisoning or diseases.
- Do not heat closed tin cans and glass jars. Built up pressure may cause the jar to burst.
- Place the greaseproof paper in a cookware or on the oven accessory (tray, wire grill, etc.) with food and place it in the preheated oven. Remove any excessive pieces of greaseproof paper hanging from the accessory or container to avoid the risk of touching the oven heating elements. Never use

greaseproof paper at an oven temperature higher than the maximum use temperature specified on the greaseproof paper you are using. Never place greaseproof paper on the oven base.

- Do not place baking trays, plates or aluminum foil directly on the bottom of the oven. The accumulated heat can damage the base of the oven.
- Close the oven door during grilling. Hot surfaces may cause burns!
- Food not suitable for grilling carries a fire hazard. Grill only food that is suitable for heavy grill fire. Also, do not place the food too far in the back of the grill. This is the hottest area and fatty foods may catch fire.



### **Maintenance and cleaning safety**

- Wait for the product to cool before cleaning the product. Hot surfaces may cause burns!
- Never wash the product by spraying or pouring water on it! There is an electric shock hazard!

- Do not clean the product with steam cleaners as this may cause electric shock.
- Do not use harsh abrasive cleaners, metal scrapers, wire wool or bleach materials

to clean the oven front door glass / (if present) oven upper door glass. These materials can cause glass surfaces to be scratched and broken.

## 2 Environmental Instructions

### Waste regulation

#### Compliance with the WEEE Directive and Disposing of the Waste Product



This product complies with EU WEEE Directive (2012/19/EU). This product bears a classification symbol for waste electrical and electronic equipment (WEEE).

This product has been manufactured with high quality parts and materials which can be reused and are suitable for recycling. Do not dispose of the waste product with normal domestic and other wastes at the end of its service life. Take it to the collection center for the recycling of electrical and electronic equipment. Please consult your local authorities to learn about these collection centers.

Appropriate disposal of used appliance helps prevent potential negative consequences for the environment and human health.

#### Compliance with RoHS Directive:

The product you have purchased complies with EU RoHS Directive (2011/65/EU). It does not contain harmful and prohibited materials specified in the Directive.

### Package information

- Packaging materials of the product are manufactured from recyclable materials in accordance with our National Environment Regulations. Do not dispose of the packaging materials together with the domestic or other wastes. Take them to the packaging material collection points designated by the local authorities.

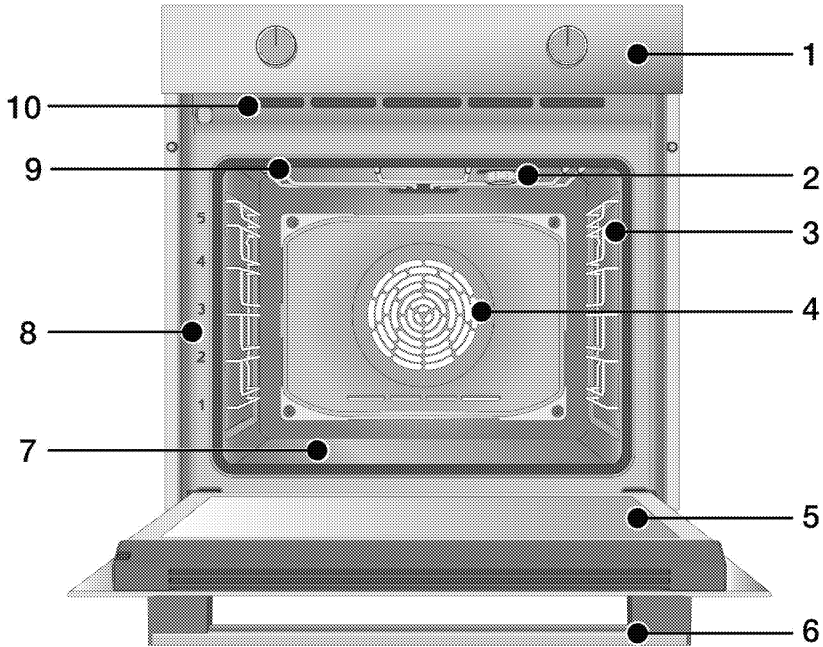
### Recommendations for energy saving

The following suggestions will help you use your product in an ecological and energy-efficient way:

- Defrost frozen food before cooking.
- In the oven, use dark or enamelled containers that transmit heat better.
- Turn off the product 5 to 10 minutes before the end time of cooking for prolonged cooking. Now you can save up to 20% electricity by using heat.
- If specified in the recipe or user manual, always preheat. Do not open the oven door frequently during cooking.
- Try to cook more than one dish at a time in the oven. You can cook at the same time by placing two cooking containers on the wire shelf. In addition, if you cook your meals one after the other, it will save energy because the oven will not lose its heat.

## 3 Your product

### Product introduction



- 1 Control panel
- 2 Lamp\*
- 3 Wire shelves\*\*
- 4 Fan motor (behind steel plate)
- 5 Door
- 6 Handle
- 7 Bottom heater (bottom steel plate)
- 8 Shelf positions
- 9 Top heater

- 10 Ventilation holes

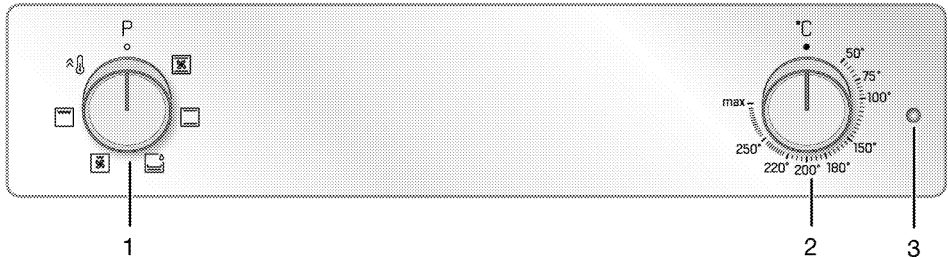
\* It depends on the model. Your product may not have a lamp, or the type and location of the lamp may differ from the illustration.

\*\* It depends on the model. Your product may be without wire shelves. In the illustration, wire shelves are shown as examples.

## Product control panel introduction and usage

In this section, you can find the overview and basic uses of the product's control panel. There may be differences in images and some features depending on the type of product.

### Oven control



- 1 Function selection knob
- 2 Temperature knob
- 3 Thermostat lamp

If there are knob (s) controlling your product, these knob (s) may be recessed in the panel that come out when pressed in on some models. For settings to be made with these knobs, first push the relevant knob in and pull out the knob. After making your adjustment, press it in again and replace the knob.

#### Function selection knob

You can select the oven operating functions with the function selection knob. Turn left / right from closed (top) position to select.

#### Temperature knob







You can select the temperature you want to cook with the temperature knob. Turn clockwise from the closed (top) position to select.

#### Temperature indicator

You can understand the oven interior temperature from the temperature lamp. The temperature lamp is located on the control panel. The temperature lamp turns on when the product starts, and the temperature lamp turns off when it reaches the set temperature. When the temperature inside the oven drops below the set temperature, the temperature lamp turns on again.

## Oven operating functions

On the function table; the operating functions you can use in your oven and the highest and lowest temperatures that can be set for these functions are shown. The order of the operating modes shown here may differ from the arrangement on your product.

Function symbol	Function description	Temperature range (°C)	Description and use
	Top and bottom heating	*	Food is heated from above and below at the same time. Suitable for cakes and stews in baking molds or cakes and pastries. Cooking is done with a single tray.
	Bottom heating	*	Only lower heating is on. It is suitable for foods that need browning on the bottom. This function should also be used for easy steam cleaning.
	Fan assisted bottom/top heating	*	The hot air heated by the upper and lower heaters is distributed equally and rapidly throughout the oven with the fan. Cooking is done with a single tray.
	Full grill	*	The large grill on the oven ceiling works. It is suitable for grilling in large amounts.
	Fan assisted low grill	*	The hot air heated by the small grill is quickly distributed into the oven with the fan. It is suitable for grilling smaller amounts.
	Quick heating	-	All the heaters of the oven work. This operating function is used to quickly bring the oven to the desired temperature (preheating). Do not use it for cooking food.

\* Your product operates in the temperature range specified on the temperature knob.

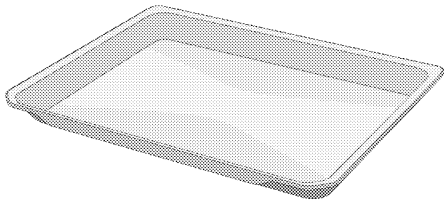
## Product accessories

There are various accessories in your product. In this section, the description of the accessories and the descriptions of the correct usage are available. Depending on the product model, the supplied accessory varies. All accessories described in the user guide may not be available in your product.

---

**NOTICE** : The trays in your product may be deformed by the effect of the temperature. This has no effect on the function. Deformation disappears when the tray cools down.

---

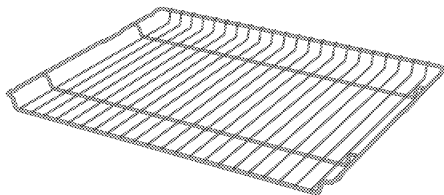


### Standard tray

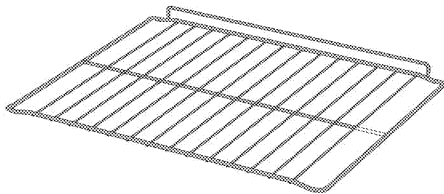
It is used for pastries, frozen foods and frying large pieces.

---

### Models with wire shelves:



### Models without wire shelves:



### Wire grill

It is used for frying or placing the food to be baked, fried and stewed on the desired shelf.

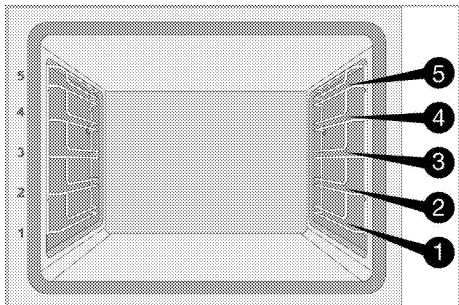
---

## Use of product accessories

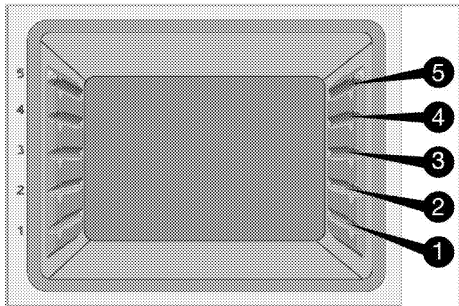
### Cooking shelves

There are 5 levels of shelf position in the cooking area. You can also see the order of the shelves in the numbers on the front frame of the oven.

#### Models with wire shelves



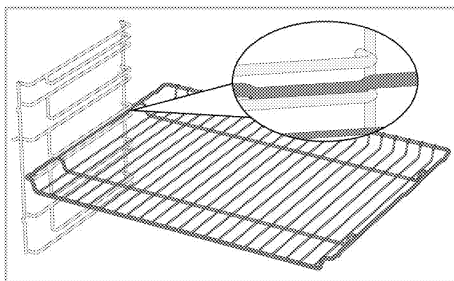
#### Models without wire shelves



### Placing the wire grill on the cooking shelves

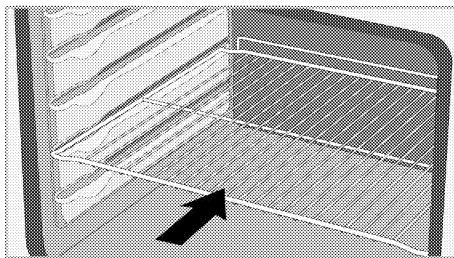
#### Models with wire shelves:

It is crucial to place the wire grill on the wire side shelves properly. While placing the wire grill on the desired shelf, the open section must be on the front. For better cooking, the wire grill must be secured with the stopper on the wire shelf. It must not pass over the stopper to contact with the rear wall of the oven.



#### Models without wire shelves:

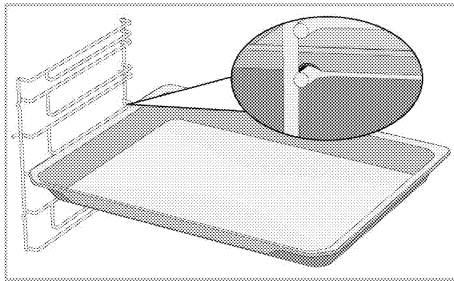
It is crucial to place the wire grill on the side shelves properly. The wire grill has one direction when placing it on the shelf. While placing the wire grill on the desired shelf, the open section must be on the front.



### Placing the tray on the cooking shelves

#### Models with wire shelves:

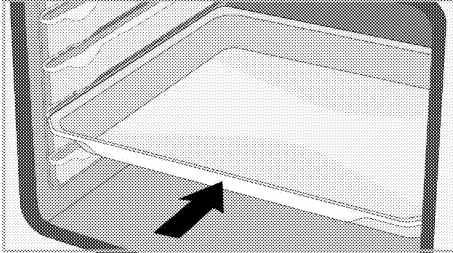
It is also crucial to place the trays on the wire side shelves properly. While placing the tray on the desired shelf, its side designed for holding must be on the front. For better cooking, the tray must be secured with the stopper on the wire shelf. It must not pass over the stopper to contact with the rear wall of the oven.





### Models without wire shelves:

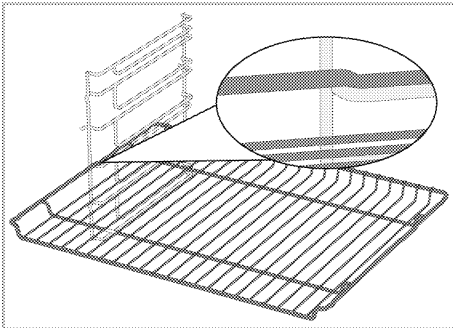
It is also crucial to place the trays on the side shelves properly. The tray has one direction when placing it on the shelf. While placing the tray on the desired shelf, its side designed for holding must be on the front.



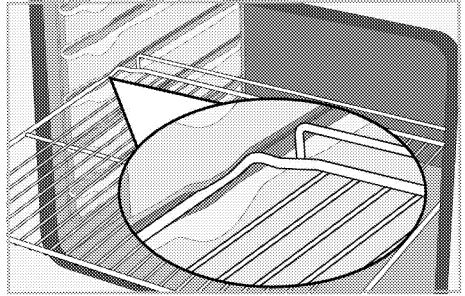
### Stopper function of the wire grill

There is a stopper function to prevent the wire grill from tipping out of the wire shelf. With this function, you can easily and safely take out your food. While removing the wire grill, you can pull it forward until it reaches the stopper. You must pass over the stopper to remove it completely.

### Models with wire shelves

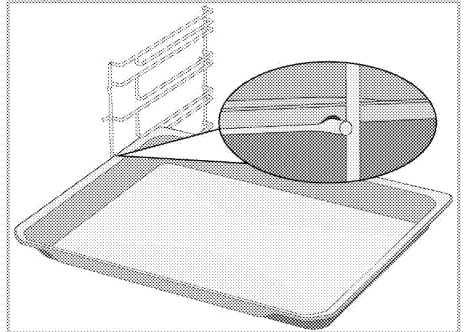


### Models without wire shelves



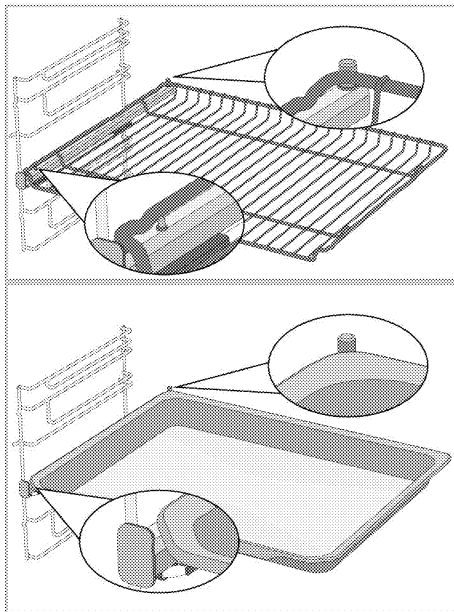
### Stopper function of the wire grill tray - Models with wire shelves

There is also a stopper function to prevent the tray from tipping out of the wire shelf. While removing the tray, release it from the rear lock and pull it towards yourself until it reaches the stopper. You must pass over the stopper to remove it completely.



### **Proper placement of the wire grill and tray on the telescopic rails- Models with wire shelves and telescopic rails**

Thanks to telescopic rails, trays or the wire grill can be easily installed and removed. When using trays and wire grills with the telescopic rail, care should be taken that the pins, on the front and back of the telescopic rails, rest against the edges of the grill and the tray (shown in the figure).



## Technical specifications

### General specifications

Product external dimensions (height/width/depth)	595 mm/594 mm/567 mm
Oven installation dimensions (height/width/depth)	590 or 600 mm/560 mm/min. 550 mm
Voltage / frequency	220-240 V ~ 50 Hz
Cable type and cross section used / suitable for use in the product	min. H05VV-FG 3 x 1,5 mm <sup>2</sup>
Total power consumption	2.4 kW
Oven type	Fan assisted oven

# Basics: Information on the energy label of electrical ovens is given in accordance with the EN 60350-1 / IEC 60350-1 standard. Those values are determined under standard load with bottom-top heater or fan assisted heating (if any) functions.

Energy efficiency class is determined in accordance with the following prioritization depending on whether the relevant functions exist on the product or not: 1-Eco fan heating, 2-Fan Heating 3- Fan assisted low grill, 4-Top and bottom heating.



Technical specifications may be changed without prior notice to improve the quality of the product.



Figures in this manual are schematic and may not exactly match your product.



Values stated on the product labels or in the documentation accompanying it are obtained in laboratory conditions in accordance with relevant standards. Depending on operational and environmental conditions of the product, these values may vary.

## 4 First use

Before you start using your product, it is recommended to do the following in the following sections.

### First cleaning

1. Remove all packaging materials.
2. Remove all accessories from the oven provided within the product.
3. Turn the product on for 30 minutes and then, turn it off. This way, residues and layers that may have remained in the oven during production are burned and cleaned.
4. When operating the product, select the highest temperature and the operating function that all the heaters in your product operate. See "Oven operating functions". You can learn how to operate the oven in the following section.
5. Wait for the oven to cool.
6. Wipe the surfaces of the product with a wet cloth or sponge and dry with a cloth.

### Before using the accessories;

Clean the accessories you remove from the oven with detergent water and a soft cleaning sponge.

**NOTICE** The surface might get damaged by some detergents or cleaning materials. Do not use aggressive detergents, cleaning powders/creams or any sharp objects during cleaning.

**NOTICE** Smoke and smell may emit for a couple of hours during the initial operation. This is quite normal. Ensure that the room is well ventilated to remove the smoke and smell. Avoid directly inhaling the smoke and the smell that emits.

## 5 How to operate the oven

### General information on oven usage

#### Cooling fan (It may not exist on your product.)

Your product has a cooling fan. The cooling fan is activated automatically when necessary and cools both the front of the product and the furniture. It is automatically deactivated when the cooling process is finished. Hot air comes out over the oven door. Do not cover these ventilation openings with anything. Otherwise, the oven may overheat.

The cooling fan continues to operate during oven operation or after the oven is turned off (approximately 20-30 minutes). If you cook by programming the oven timer, at the end of the cooking time, the cooling fan turns off with all functions. The cooling fan running time cannot be determined by the user. It turns on and off automatically. This is not an error.

#### Oven lighting

The oven lamp is turned on when the oven starts cooking. In some models, the lamp is on during cooking, while in some models it turns off after a certain time.

### Operation of the oven control unit

#### Turning on the oven

When you select a operating function you want to cook with using the function selection knob and set a certain temperature with using the temperature knob, the oven starts operating.

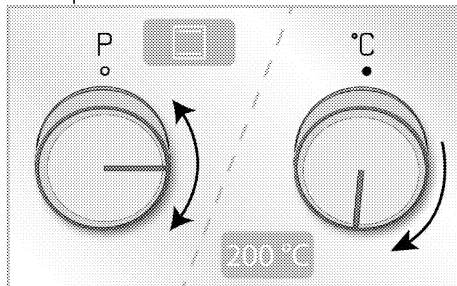
#### Turning off the oven

You can turn the oven off by turning the function selection knob and temperature knob to the off (up) position.

#### Selecting the temperature and oven operating function

You can cook by making the manual control (under your control) by selecting the temperature and operating function specific to your food.

Example:



1. Select the operating function you want to cook using the function selection knob.
2. Set the temperature you want to cook using the temperature knob.
  - » Your oven will start operating immediately at the selected function and temperature, and the temperature lamp will light up. When the temperature inside the oven reaches the set temperature, the temperature lamp turns off. The oven does not switch off automatically after starting cooking. You have to control cooking yourself and turn it off. When your cooking is completed, turn off the oven by turning the function selection knob and the temperature knob to the off (up) position.

## 6 General information about cooking

This section describes tips on preparing and cooking your food.

In addition, you can also find some of the foods tested as producers and the most appropriate settings for these foods. Appropriate oven settings and accessories for these foods are also indicated.

### General warnings about cooking in the oven

- While opening the oven door during or after cooking, hot-burning steam may emerge. The steam may burn your hand, face and / or eyes. When opening the oven door, stay away.
- Intense steam generated during cooking may form condensed water drops on the interior and exterior of the oven and on the upper parts of the furniture due to the temperature difference. This is a normal and physical occurrence.
- The cooking temperature and time values given for foods may vary depending on the recipe and amount. For this reason, these values are given as ranges.
- Always remove unused accessories from the oven before you start cooking. Accessories that will remain in the oven may prevent your food from being cooked at the correct values.
- For foods that you will cook according to your own recipe, you can reference similar foods given in the cooking tables.
- Using the supplied accessories ensures you get the best cooking performance. Always observe the warnings and information provided by the manufacturer for the external cookware you will use.

- Cut the greaseproof paper you will use in your cooking in suitable sizes to the container you will cook. Greaseproof papers that are overflowing from the container can create a risk of burns and affect the quality of your cooking. Use the greaseproof paper you will use in the temperature range specified.
- For good cooking performance, place your food on the recommended correct shelf. Do not change the shelf position during cooking.

### Pastries and oven food

#### General Information

- We recommend using the accessories of the product for a good cooking performance. If you are going to use an external cookware, prefer dark, non-sticking and heat resistant ware.
- If preheating is recommended in the cooking table, be sure to put your food in the oven after preheating.
- If you are going to cook using cookware on the wire grill, place it in the middle of the wire grill, not near the back wall.
- All materials used in making pastry should be fresh and at room temperature.
- The cooking status of the products may vary depending on the amount of food and the size of the cookware.
- Metal, ceramic and glass molds extend the cooking time and the bottom surface of pastry foods do not brown evenly.
- If you use cooking paper during cooking, a little browning may be observed on the bottom surface of the food. In this case, you may need to extend your cooking time about 10 minutes.

- The values specified in the cooking tables are determined as a result of the tests carried out in our laboratories. Values suitable for you may differ from these values.
- Place your food on the appropriate shelf recommended in the cooking table. Refer to the bottom shelf of the oven as shelf 1.

### Tips for baking cakes

- If the cake is too dry, increase the temperature by 10 ° C and shorten the baking time.
- If the cake is moist, use a small amount of liquid or reduce the temperature by 10 ° C.
- If the top of the cake is burnt, put it on the lower shelf, lower the temperature and increase the baking time.
- If it is cooked well inside but the outside is sticky, use a smaller amount of liquid, reduce the temperature and increase the cooking time.

### Tips for cooking pastries

- If the pastry is too dry, increase the temperature by 10 ° C and shorten the cooking time. Wet the dough sheets with a sauce consisting of milk, oil, egg and yoghurt mixture.
- If the pastry is getting cooked slowly, make sure that the thickness of the pastry you have prepared does not overflow the tray.
- If the pastry is browned on the surface but the bottom is not cooked, make sure that the amount of sauce you will use for the pastry is not too much at the bottom of the pastry. For an even browning, try to spread the sauce evenly between the dough sheets and the pastry.
- Bake your pastry in the position and temperature appropriate to the cooking table. If the bottom is still not browned enough, place it on a bottom shelf for the next cooking.

### Cooking table for pastries and oven food

Food	Tray amount	Accessory to be used	Operating function	Shelf position	Temperature (°C)	Cooking time (min) (approx.)
Cakes in tray	Single tray	Standard tray*	Top and bottom heating	3	180	30 ... 40
Cakes in mold	Single tray	Cake mold on wire grill**	Top and bottom heating	2	180	30 ... 40
Small cakes	Single tray	Standard tray*	Top and bottom heating	3	160	25 ... 35
	Single tray	Standard tray*	Fan assisted bottom/top heating	3	150	20 ... 30
Sponge cake	Single tray	Round cake mold, 26 cm in diameter with clamp on wire grill**	Top and bottom heating	2	160	30 ... 40
	Single tray	Round cake mold, 26 cm in diameter with clamp on wire grill**	Fan assisted bottom/top heating	2	160	20 ... 30
Cookie	Single tray	Pastry tray*	Top and bottom heating	3	170	25 ... 35

Food	Tray amount	Accessory to be used	Operating function	Shelf position	Temperature (°C)	Cooking time (min) (approx.)
Dough pastry	Single tray	Standard tray*	Fan assisted bottom/top heating	2	200	30 ... 40
Rich pastry	Single tray	Standard tray*	Top and bottom heating	2	200	20 ... 30
Whole bread	Single tray	Standard tray*	Top and bottom heating	2	200	30 ... 40
Lasagna	Single tray	Glass / metal rectangular mold on wire grill**	Top and bottom heating	2 or 3	200	30 ... 40
Apple pie	Single tray	Round black metal mold, 20 cm in diameter on wire grill**	Top and bottom heating	2	180	50 ... 70
Pizza	Single tray	Standard tray*	Top and bottom heating	2	200 ... 220	10 ... 20

Preheating is recommended for all food.

\* These accessories may not be included with your product.

\*\* These accessories are not included with your product. They are commercially available accessories.

## Meat, Fish and Poultry

### The key points on roasting

- Seasoning it with lemon juice and pepper before cooking all chicken, turkey and large pieces of meat will increase cooking performance.
- It takes 15 to 30 minutes more to cook boned meat than fillet by roasting.
- You should calculate about 4 to 5 minutes of cooking time per centimeter of the meat thickness.
- After the cooking time is over, leave the meat in the oven for about 10 minutes. The juice of the meat is better distributed to the fried meat and does not come out when the meat is cut.
- Fish should be placed on a medium or low level shelf in a heat resistant plate.

### Cooking table for meat, fish and poultry

Food	Tray amount	Accessory to be used	Operating function	Shelf position	Temperature (°C)	Cooking time (min) (approx.)
Steak (whole) / Roast (1 kg)	Single tray	Standard tray*	Fan assisted bottom/top heating	3	15 mins. 250/max, then 180 ... 190	60 ... 80
Lamb's shank (1.5 - 2.0 kg)	Single tray	Standard tray*	Fan assisted bottom/top heating	3	15 mins. 250/max, then 170	110 ... 120
Roasted chicken (1.8-2 kg)	Single tray	Wire grill* Place one tray on a lower shelf	Fan assisted bottom/top heating	2	15 mins. 250/max, then 190	60 ... 80
Turkey (5.5 kg)	Single tray	Standard tray*	Fan assisted bottom/top heating	1	25 mins. 250/max, then 180 ... 190	150 ... 210
Fish	Single tray	Wire grill* Place one tray on a lower shelf	Fan assisted bottom/top heating	3	200	20 ... 30



Food	Tray amount	Accessory to be used	Operating function	Shelf position	Temperature (°C)	Cooking time (min) (approx.)
------	-------------	----------------------	--------------------	----------------	------------------	------------------------------

Preheating is recommended for all food.

\* These accessories may not be included with your product.

\*\* These accessories are not included with your product. They are commercially available accessories.

## Grill

Red meat, fish and poultry meat will quickly turn brown when grilled, hold a beautiful crust and do not dry out. Fillet meats, skewer meats, sausages as well as juicy vegetables (tomatoes, onions, etc.) are particularly suitable for grilling.

### General warnings

- Food not suitable for grilling carries a fire hazard. Grill only food that is suitable for heavy grill fire. Also, do not place the food too far in the back of the grill. This is the hottest area and fatty foods may catch fire.
- **Close the oven door during grilling. Never grill with the oven door open. Hot surfaces may cause burns!**

### The key points of the grill

- Prepare foods of similar thickness and weight as much as possible for the grill.
- Place the pieces to be grilled on the wire grill or wire grill tray by distributing them without exceeding the dimensions of the heater.
- Depending on the thickness of the pieces to be grilled, the cooking times given in the table may vary.
- Slide the wire grill or the wire grill tray to the desired level in the oven. If you are cooking on the wire grill, slide the oven tray to the lower shelf to collect the oils. The oven tray you are going to slide should be sized to cover the entire grill area. This tray may not be included with the product. Put some water into the oven tray for easy cleaning.

## Grilling table

Food	Accessory to be used	Shelf position	Temperature (°C)	Cooking time (min) (approx.)
Fish	Wire grill	4 - 5	250	20 ... 25
Chicken pieces	Wire grill	4 - 5	250	25 ... 35
Meatball (beef) - 12 pieces	Wire grill	4	250	20 ... 30
Lamb chop	Wire grill	4 - 5	250	20 ... 25
Steak - (sliced)	Wire grill	4 - 5	250	25 ... 30
Veal chop	Wire grill	4 - 5	250	25 ... 30
Vegetable gratin	Wire grill	4 - 5	220	20 ... 30
Toast bread	Wire grill	4	250	1 ... 3

It is recommended to preheat for 5 minutes for all grilled food.

Turn pieces of food after 1/2 of the total grilling time.

## Fan assisted low grill

Food	Accessory to be used	Operating function	Shelf position	Temperature (°C)	Cooking time (min) (approx.)
Fish	Wire grill	Fan assisted low grill	4	200	30 ... 35
Chicken pieces	Wire grill	Fan assisted low grill	4	250	25 ... 35
Meatball (beef) - 12 pieces	Wire grill	Fan assisted low grill	4	250	30 ... 40
Steak (whole) / Roast (1 kg)	Wire grill Place one tray on a lower shelf	Fan assisted low grill	3	15 mins. 250, then 180 ... 190	90 ... 110

Do not preheat for all grilled food in this grill table.

### Test foods

Foods in this cooking table are prepared according to the EN 60350-1 standard

to facilitate testing of the product for control institutes.

### Cooking table for test foods

Food	Tray amount	Accessory to be used	Operating function	Shelf position	Temperature (°C)	Cooking time (min) (approx.)
Shortbread (sweet cookie)	Single tray	Standard tray*	Top and bottom heating	3	140	20 ... 30
Small cakes	Single tray	Standard tray*	Top and bottom heating	3	160	25 ... 35
	Single tray	Standard tray*	Fan assisted bottom/top heating	2	150	20 ... 30
Sponge cake	Single tray	Round cake mold, 26 cm in diameter with clamp on wire grill**	Top and bottom heating	2	160	30 ... 40
	Single tray	Round cake mold, 26 cm in diameter with clamp on wire grill**	Fan assisted bottom/top heating	2	160	20 ... 30
Apple pie	Single tray	Round black metal mold, 20 cm in diameter on wire grill**	Top and bottom heating	2	180	50 ... 70

Preheating is recommended for all food.

\* These accessories may not be included with your product.

\*\* These accessories are not included with your product. They are commercially available accessories.

### Grill

Food	Accessory to be used	Shelf position	Temperature (°C)	Cooking time (min) (approx.)
Toast bread	Wire grill	4	250	1 ... 3
Meatball (beef) - 12 pieces	Wire grill	4	250	20 ... 30

Turn the food after 1/2 of the total grilling time.

It is recommended to preheat for 5 minutes for all grilled food.

## 7 Maintenance and care

### General cleaning information

#### ⚠ General warnings

- Wait for the product to cool before cleaning the product. Hot surfaces may cause burns!
- Do not apply the detergents directly on the hot surfaces. This may cause a permanent stains.
- The appliance shall be thoroughly cleaned and dried after each operation. Thus, food residues shall be easily cleaned and these residues shall be prevented from burning when the appliance is used again later. Thus, the service life of the appliance extends and frequently faced problems are decreased.
- Do not use steam cleaning products for cleaning.
- Some detergents or cleaning agents may damage the surface. Do not use abrasive detergents, cleaning powders, cleaning creams, descalers or sharp objects during cleaning.
- There is no need for a special cleaning agent for cleaning after each use. Clean the appliance using dish soap, warm water and a soft cloth or sponge and dry with a dry microfiber cloth.
- Be sure to completely wipe off any remaining liquid after cleaning and immediately clean any food splashing around during cooking.
- Do not wash any component of your appliance in a dishwasher.

#### Inox and stainless surfaces

- Do not use acid or chlorine-containing cleaning agents to clean stainless or inox surfaces and handles.

- Stainless or inox surface may change colour in time. This is normal. After each operation, clean with a detergent suitable for the stainless or inox surface.
- Clean with a soft soapy cloth and liquid (non-scratching) detergent suitable for inox surfaces, taking care to wipe in one direction.
- Remove lime, oil, starch, milk and protein stains on the inox-stainless and glass surfaces immediately without waiting. Stains may rust under long periods of time.

#### Enamelled surfaces

- After each use, clean the enamel surfaces using dishwashing detergent, warm water and a soft cloth or sponge and dry them with a dry cloth.
- If your product has an easy steam cleaning function, you can make easy steam cleaning for light non-permanent dirt. (See the "Easy steam cleaning" section)
- For persistent stains, the oven and grill cleaner recommended on the website of your product brand and a non-scratching scouring pad can be used. Do not use an external oven cleaner.
- The oven must cool down for cleaning in the cooking area. Cleaning on hot surfaces shall create both fire hazard and damage with enamel surface.

#### Catalytic surfaces

- The side walls in the cooking area can only be covered with enamel or catalytic walls. It varies by model.
- The catalytic walls have a light matte and porous surface. The catalytic walls of the oven should not be cleaned.
- Catalytic surfaces absorb oil thanks to its porous structure and start to shine

when the surface is saturated with oil, in this case it is recommended to replace the parts.

### **Glass surfaces**

- When cleaning glass surfaces, do not use hard metal scrapers and abrasive cleaning materials. They can damage the glass surface.
- Clean the appliance using dishwashing detergent, warm water and a microfiber cloth specific for glass surfaces and dry it with a dry microfiber cloth.
- If there is residual detergent after cleaning, wipe it with cold water and dry with a clean and dry microfiber cloth. Residual detergent residue may damage the glass surface next time.
- Under no circumstances should the dried-up residue on the glass surface be cleaned off with serrated knives, wire wool or similar scratching tools.
- You can remove the calcium stains (yellow stains) on the glass surface with the commercially available descaling agent, with a descaling agent such as vinegar or lemon juice.
- If the surface is heavily soiled, apply the cleaning agent on the stain with a sponge and wait a long time for it to work properly. Then clean the glass surface with a wet cloth.
- Discolorations and stains on the glass surface are normal and not defects.

### **Plastic parts and painted surfaces**

- Clean plastic parts and painted surfaces using dishwashing detergent, warm water and a soft cloth or sponge and dry them with a dry cloth.
- Do not use hard metal scrapers and abrasive cleaners. It may damage the surfaces.
- Ensure that the joints of the components of the appliance are not left as damp and with detergent.

Otherwise, corrosion may occur on these joints.

### **Cleaning the accessories**

Unless otherwise stated in the user manual, do not wash the product accessories in the dishwasher.

### **Cleaning the control panel**

- When cleaning the panels with knob control, wipe the panel and knobss with a damp soft cloth and dry with a dry cloth. Do not remove the knobs and gaskets underneath to clean the control panel. The control panel and knobs may be damaged.
- While cleaning the inox panels with knob control, do not use inox cleaning agents around the knobs. The indicators around the knobs may be deleted.
- Clean the touch control panels with a damp soft cloth and dry with a dry cloth. If your product has a key lock feature, set the key lock before performing control panel cleaning. Otherwise, incorrect detection may occur on the keys.

### **Cleaning the inside of the oven (cooking area)**

Follow the cleaning steps described in the "General cleaning information" section according to the surface types in your oven.

### **Cleaning the side walls of the oven**

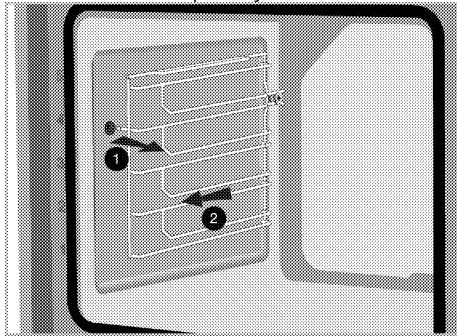
The side walls in the cooking area can only be covered with enamel or catalytic walls. It varies by model. If there is a catalytic wall, refer to the "Catalytic walls" section for information.

If your product is a side rack model, remove the side racks before cleaning your side walls. Then complete the cleaning as described in the "General

cleaning information" section according to the side wall surface type.

### To remove the side racks:

1. Remove the front of the side rack by pulling it on the side wall in the opposite direction.
2. Pull the side rack towards you to remove it completely.



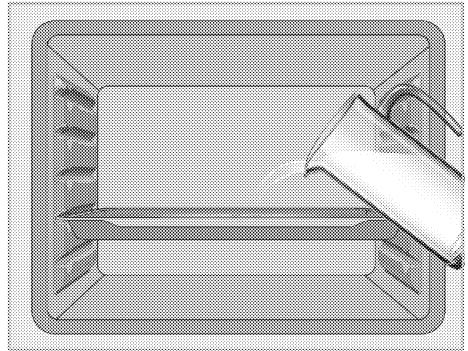
3. To reattach the shelves, the procedures applied when removing them must be repeated from the end to the beginning, respectively.

## Easy Steam Cleaning

It varies depending on the product model. It may not be available on your product.

It ensures easy cleaning because the dirt (having waited not for too long) is softened with the steam that forms inside the oven and the water drops condensing on the inner surfaces of the oven.

1. Remove all accessories inside the oven.
2. Pour 500 ml of water into the oven tray and place the tray at the 2nd rack of the oven.



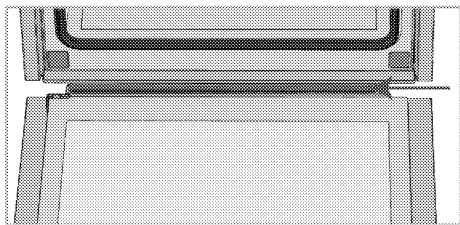
3. Set the oven to easy steam cleaning mode and run at 100°C for 15 minutes.

Open the door immediately and wipe the inner surfaces of the oven with a damp sponge or cloth. When opening the door, steam will escape. This can create a risk of burning. Be careful when opening the oven door.

Use warm water with washing liquid, a soft cloth or sponge to clean the persistent dirt and wipe it with a dry cloth.

**i** During the easy steam cleaning mode, water that is in the pool at the base of the oven to soften lightly formed residues/dirt within the oven cavity will evaporate and condense in the oven cavity and inner glass of the oven door, therefore water may drip when the oven door is opened. Wipe away the condensation as soon as the oven door is opened.

It varies depending on the product model. It may not be available on your product. After condensation in the oven, there might be water or moisture in the pool channel under the oven. After use, clean this pool channel with a damp cloth and then dry it.



## Cleaning the oven door

**i** Do not use harsh abrasive cleaners, metal scrapers, wire wool or bleach materials to clean the oven door and glass.

You can remove your oven door and door glasses to clean them. How to remove the doors and windows is explained in the sections "Removing the oven door" and "Removing the inner glasses of the door". After removing the door inner glasses, clean them using a dishwashing detergent, warm water and a soft cloth or sponge and dry them with a dry cloth. Wipe the glass with vinegar and then rinse it against lime residues that may occur on the oven glass.

## Removing the oven door

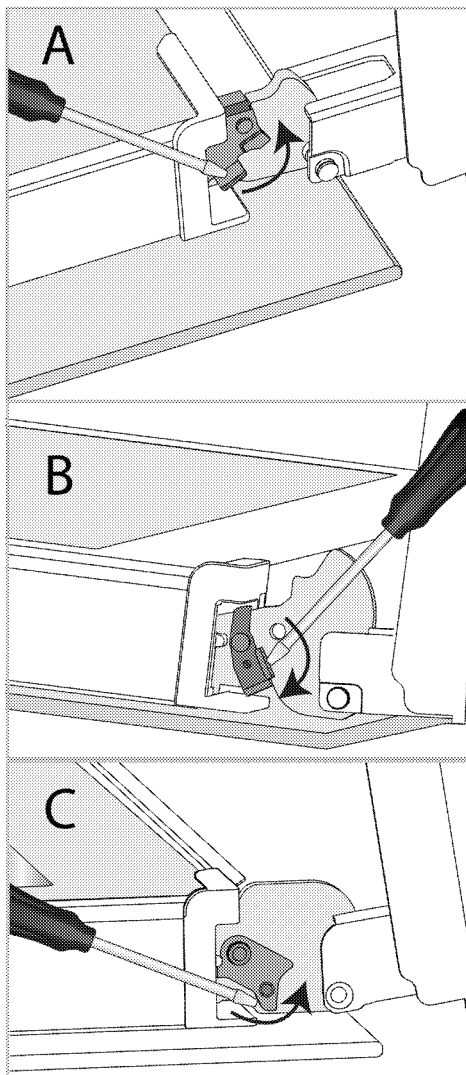
1. Open the oven door.
2. Open the clips in the front door hinge socket on the right and left by pressing downwards as shown in the figure.

The hinge type (A), (B), (C) varies according to the product model. The figures below show how to open all hinge types.

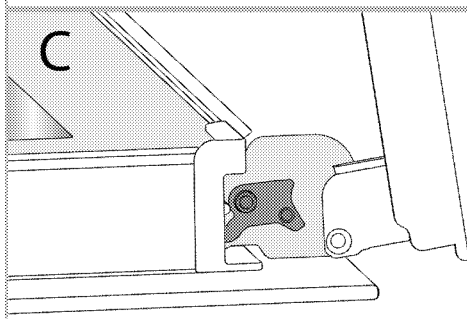
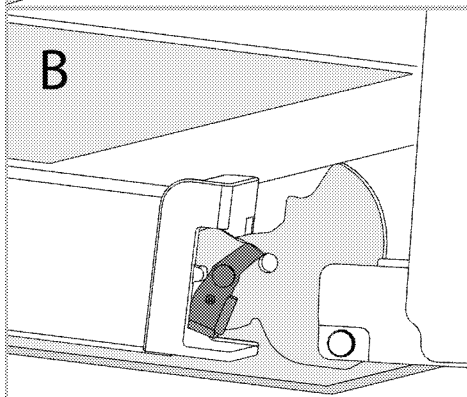
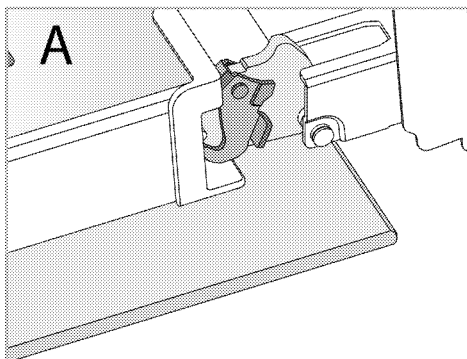
(A) type hinge is available in normal door types.

(B) type hinge is available in soft closing door types.

(C) type hinge is available in soft opening/closing door types.

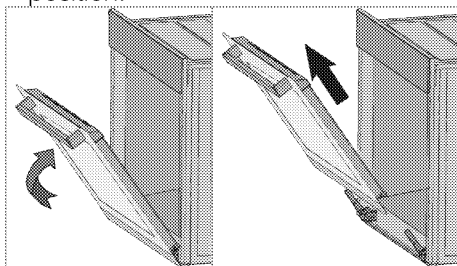


Hinge lock - closed position



Hinge lock - open position

3. Get the oven door to a half-open position.



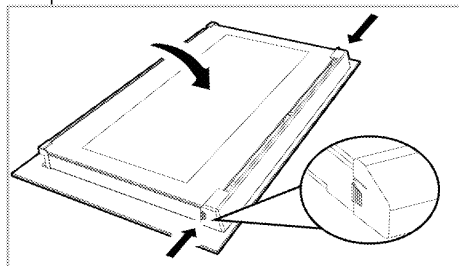
4. Pull the removed door upwards to release it from the right and left hinges and remove it.

**i** To reattach the door, the procedures applied when removing it must be repeated from the end to the beginning, respectively. When installing the door, be sure to close the clips on the hinge socket.

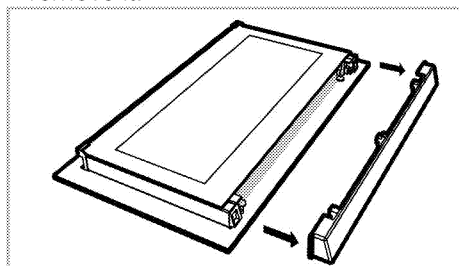
## Removing the inner glass of the oven door

Inner glass of the product's front door of may be removed for cleaning.

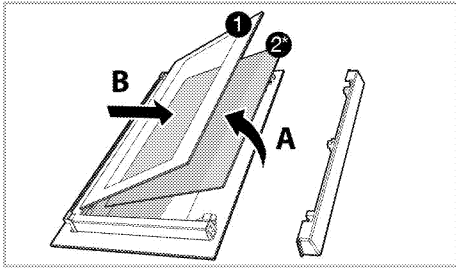
1. Open the oven door.



2. Pull the plastic component, attached on the upper section of the front door, towards yourself by simultaneously pressing on the pressure points on both sides of the component and remove it.



3. As shown in the figure, gently lift the innermost glass (1) towards 'A' and then, remove it by pulling towards 'B'.



- 1 Innermost glass panel
- 2\* Inner glass panel (It may not exist on your product.)
- 4.If your product has an inner glass (2), repeat the same process to detach it (2).
5. The first step of regrouping the door is to reassemble the inner glass (2). Place the beveled edge of the glass to meet the beveled edge of the plastic slot. (If your product has an inner glass). Inner glass (2) must be attached to the plastic slot closest to the innermost glass (1).
- 6.While reassembling the innermost glass (1), pay attention to place the printed side of the glass on the inner glass. It is crucial to place the lower corners of the innermost glass (1) to meet the lower plastic slots.
- 7.Push the plastic component towards the frame until a "click" sound is heard.

### **Cleaning the oven lamp**

In the event that the glass door of the oven lamp in the cooking area becomes dirty; clean using dishwashing detergent, warm water and a soft cloth or sponge and dry with a dry cloth. In case of oven lamp failure, you can replace the oven lamp by following the sections that follow.

### **Replacing the oven lamp**

#### **⚠ General warnings**

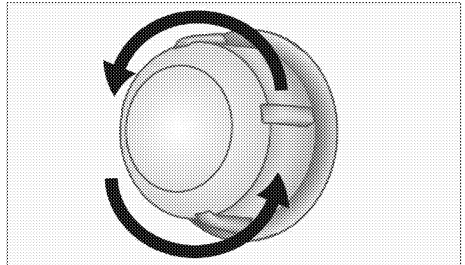
- To avoid the risk of electric shock before replacing the oven lamp,

disconnect the electrical connector and wait for the oven to cool. Hot surfaces may cause burns!

- In this oven, an incandescent lamp with a power of less than 40 W, a height of less than 60 mm, a diameter of less than 30 mm or a halogen lamp with socket type G9, a power of less than 60 W is used. The lamps are suitable for operation at temperatures above 300 °C. Oven lamps can be obtained from Authorised Service Agents or technician with licence.
- The position of the lamp may differ from that is shown in the figure.
- The lamp used in this product is not suitable for use in the lighting of home rooms. The purpose of this lamp is to help the user see food products.
- The lamps used in this product must withstand extreme physical conditions such as temperatures above 50 ° C.

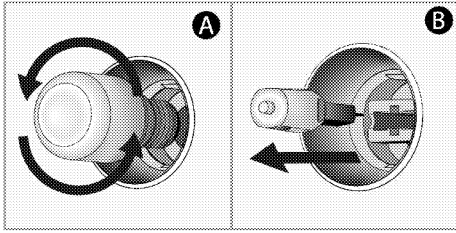
#### **If your oven has a round lamp,**

- 1.Disconnect the product from the electricity.
- 2.Remove the glass cover by turning it counterclockwise.



- 3.If your oven lamp is type (A) shown in the figure below, rotate the oven lamp as shown in the figure and replace it with a new one. If type (B) is a model, pull it out as shown in the figure and replace it with a new one.

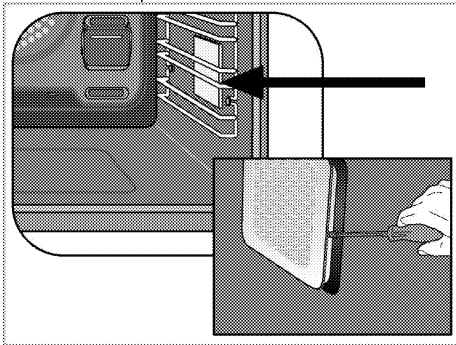




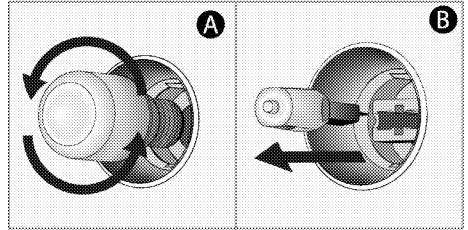
4. Refit the glass cover.

**If your oven has a square lamp,**

1. Disconnect the product from the electricity.
2. Remove the wire shelves according to the description.



3. Lift the lamp's protective glass cover with a screwdriver.
4. If your oven lamp is type (A) shown in the figure below, rotate the oven lamp as shown in the figure and replace it with a new one. If type (B) is a model, pull it out as shown in the figure and replace it with a new one.



5. Refit the glass cover and wire shelves.

## 8 Troubleshooting

Consult the Authorised Service Agent or technician with license or the dealer where you have purchased the product if you cannot remedy the trouble although you have implemented the instructions in this section. Never attempt to repair a defective product yourself.

### Oven emits steam when it is in use.

- It is normal that steam escapes during operation. >>> *This is not a fault.*

### Water drops occur during cooking.

- The vapour that arises during cooking can condense and form water droplets when it hits cold surfaces of the product. >>> *This is not a fault.*

### Product emits metal noises while heating and cooling.

- When the metal parts are heated, they may expand and cause noise. >>> *This is not a fault.*

### Product does not operate.

- The mains fuse is defective or has tripped. >>> *Check fuses in the fuse box. If necessary, replace or reset them.*
- Product is not plugged into the (grounded) socket. >>> *Check the plug connection.*
- Buttons/knobs/keys on the control panel do not function. >>> *If your product equipped with key lock function, keylock may be enabled. Please disable it.*

### Oven light does not work.

- Oven lamp is defective. >>> *Replace oven lamp.*
- Power is cut. >>> *Check if there is power. Check the fuses in the fuse box. If necessary, replace or reset the fuses.*

### Oven does not heat.

- Might not be set to a certain cooking function and/or temperature. >>> *Set the oven to a certain cooking function and/or temperature.*
- Power is cut. >>> *Check if there is power. Check the fuses in the fuse box. If necessary, replace or reset the fuses.*



## Einbau-Backofen

Gebrauchsanleitung



DE

## Sehr geehrter Kunde,

### **Bitte lesen Sie dieses Handbuch, bevor Sie das Produkt verwenden.**

Beko dankt Ihnen, dass Sie sich für das Produkt entschieden haben. Wir stellen Ihnen dieses Produkt vor, das mit hoher Qualität und Technologie hergestellt wurde, um Ihnen die beste Effizienz zu bieten. Lesen Sie dazu dieses Handbuch und alle anderen mitgelieferten Dokumentationen sorgfältig durch, bevor Sie das Produkt verwenden, und bewahren Sie sie als Referenz auf. Wenn Sie das Produkt an eine andere Person weitergeben, geben Sie das Handbuch mit. Befolgen Sie die Anweisungen unter Berücksichtigung aller im Benutzerhandbuch angegebenen Informationen und Warnungen.

Beachten Sie alle Informationen und Warnungen im Benutzerhandbuch. Auf diese Weise schützen Sie sich und Ihr Produkt vor den Gefahren, die auftreten können. Bewahren Sie das Benutzerhandbuch auf. Wenn Sie das Produkt an eine andere Person weitergeben, geben Sie das Handbuch mit.

Das Benutzerhandbuch enthält die folgenden Symbole:



Gefahr, die zum Tod oder zu Verletzungen führen kann.

**HINWEIS** Gefahr, die zu materiellen Schäden am Produkt oder seiner Umgebung führen kann.



Gefahr, die durch Kontakt mit heißen Oberflächen zu Verbrennungen führen kann.



Wichtige Informationen oder nützliche Anwendungstipps.



Bitte lesen Sie das Benutzerhandbuch.



**Arçelik A.Ş.**

Karaağaç caddesi No:2-6  
34445 Sütlüce/Istanbul/TURKEY

Made in TURKEY

**1 Hinweise zu Ihrer Sicherheit 4**

Verwendungszweck .....	4
Besondere Sicherheitshinweise rund um Kinder, gebrechliche Menschen und Haustiere.....	5
Sicherheitshinweise zu Elektrogeräten.....	6
Sicherheit beim Transport .....	8
Sicherheitshinweise zur Installation .....	8
Sicher bedienen .....	9
Warnhinweise zu hohen Temperaturen .....	9
Zubehör.....	10
Sicherheit beim Kochen.....	10
Sicherheitshinweise zum Reinigen und Pflegen.....	11

**2 Hinweise zum Umweltschutz 13**

Richtig entsorgen .....	13
Erfüllung von WEEE-Vorgaben zur Entsorgung von Altgeräten .....	13
Verpackungsmaterialien entsorgen .....	13
Tipps zum Energiesparen.....	13

**3 Ihr neues Gerät 14**

Ihr neues Gerät .....	14
Bedienfeld und Bedienung .....	15
Ofen-Steuerung .....	15
Ofenfunktionen.....	16
Zubehör.....	17
Verwendung von Produktzubehör.....	18
Technische Spezifikationen .....	21

**4 Erster Einsatz 22**

Erste Reinigung .....	22
-----------------------	----

**5 Bedienung des Backofens 23**

Allgemeine Informationen zum Ofen .....	23
So nutzen Sie die Bedienelemente.....	23

**6 Allgemeine Hinweise zum Backen 24**

Allgemeine (Warn-) Hinweise zum Backen, Braten und Grillen .....	24
Backwaren und andere Ofengerichte .....	24
Fleisch, Fisch und Geflügel.....	26
Grillen .....	27
Testspeisen.....	29

**7 Reinigung und Wartung 30**

Allgemeine Hinweise zur Reinigung .....	30
Reinigung des Zubehörs .....	31
Bedienfeld reinigen .....	31
Reinigung der Innenseite des Ofens (Garraum) .....	32
Einfache Dampfreinigung .....	32
Reinigung der Ofentür.....	33
Entfernen der Innenscheiben der Tür.....	35
Ofenbeleuchtung reinigen.....	35

**8 Problemlösungen 38**

# 1 Hinweise zu Ihrer Sicherheit

- In diesem Abschnitt finden Sie Sicherheitshinweise, die dafür sorgen sollen, dass es nicht zu Sachschäden oder Verletzungen kommt.
  - Vergessen Sie nicht, die gesamte Dokumentation – also Bedienungsanleitung, Aufkleber und sonstige Dokumente – und Teile mitzugeben, falls Sie das Gerät an jemand anderen weitergeben.
  - Unser Unternehmen haftet nicht für jegliche Schäden, die durch Ignorieren dieser Hinweise eintreten.
  - Übrigens erlöschen sämtliche Garantien und Gewährleistungen, wenn Sie sich nicht an diese Hinweise halten.
  -  Lassen Sie Reparaturarbeiten immer nur vom Hersteller, seinem autorisierten Kundendienst oder einer vom Importeur empfohlenen Fachkraft ausführen.
  -  Verwenden Sie nur Originalersatzteile und Originalzubehör.
  -  Versuchen Sie nicht, jegliche Teile des Gerätes selbst zu reparieren oder auszutauschen, wenn dies nicht klar und deutlich in der Bedienungsanleitung empfohlen und beschrieben wird.
  -  Verzichten Sie auf eigenmächtige technische Veränderungen des Gerätes.
-  **Verwendungszweck**
- Dieses Produkt ist für den Heimgebrauch bestimmt. Es ist nicht für die kommerzielle Nutzung geeignet.
  - Verwenden Sie das Produkt nicht in Gärten, Balkonen oder anderen Außenbereichen. Dieses Produkt ist nur für den Einsatz in Haushalten und personalküchen in Geschäften, Büros und anderen Arbeitsumgebungen vorgesehen.
  - **WARNUNG:** Dieses Produkt sollte nur für Kochzwecke verwendet werden. Es sollte nicht für andere Zwecke verwendet werden, wie z.B. zum Heizen des Raumes.

- Der Ofen kann zum Auftauen, Backen, Braten und Grillen von Lebensmitteln verwendet werden.
- Dieses Produkt sollte nicht zum Heizen, Vorwärmen von Tellern, Aufhängen von Handtüchern oder Kleidung zum Trocknen am Griff verwendet werden.



### **Besondere Sicherheitshinweise rund um Kinder, gebrechliche Menschen und Haustiere**

- Das Gerät darf nur dann von Kindern ab 8 Jahren und von Menschen, die unter körperlichen oder geistigen Einschränkungen leiden, bedient werden, wenn diese zuvor gründlich über die möglichen Gefahren des Gerätes und einen sicheren Umgang damit aufgeklärt wurden. Dies gilt natürlich auch für sämtliche sonstigen Leute, die sich mit solchen Geräten noch nicht auskennen.
- Lassen Sie Kinder nicht mit dem Gerät spielen. Reinigungs- und leichte Wartungstätigkeiten dürfen nur dann von Kindern erledigt

- werden, wenn sie dabei stets unter Aufsicht stehen.
- Das Gerät sollte nicht von Menschen bedient werden, die unter körperlichen oder geistigen Einschränkungen leiden, sofern diese nicht stets beaufsichtigt werden und gründlich mit der Bedienung des Gerätes vertraut gemacht wurden. Dies gilt natürlich auch für Kinder.
- Kinder sollten stets beaufsichtigt werden, damit sie nicht mit dem Gerät spielen.
- Elektrogeräte können immer eine Gefahr für Kinder und Haustiere darstellen. Kinder und Haustiere dürfen nicht mit dem Gerät spielen, nicht darauf klettern, nicht in das Gerät steigen.
- Stellen Sie keine Gegenstände auf dem Gerät ab, die Kinder zu erreichen versuchen könnten.
- **WARNUNG:** Vergessen Sie nicht, dass Teile des Gerätes im Betrieb heiß bis sehr heiß werden. Halten Sie Kinder vom Gerät fern.
- Bewahren Sie das Verpackungsmaterial so auf,

dass Kinder nicht herankommen. Es besteht ernsthafte Verletzungs- und Erstickungsgefahr.

- Stellen Sie niemals schwere Gegenstände auf der geöffneten Backofentür ab, lassen Sie Kinder nicht darauf sitzen. Der Backofen kann umkippen, die Türscharniere können beschädigt werden.
- (Wenn Ihr Produkt einen Stecker hat) Schneiden Sie den Netzstecker ab, sorgen Sie dafür, dass das Gerät keinesfalls in Betrieb genommen werden kann, wenn Sie das Gerät entsorgen. Und vergessen Sie dabei nicht, dass Kinder oft äußerst erfinderisch sein können!



### **Sicherheitshinweise zu Elektrogeräten**

- Schließen Sie das Gerät an eine Schutzkontaktsteckdose an. Achten Sie darauf, dass die Sicherung des Stromkreises zu den Angaben auf dem Typenschild des Gerätes passt. Lassen Sie die Erdung von einem qualifizierten Elektriker erledigen. Benutzen

Sie das Gerät nicht ohne ordnungsgemäße Erdung gemäß nationalen Richtlinien.

- Netzstecker oder elektrischer Anschluss des Gerätes sollten stets gut erreichbar sein und bleiben – allerdings nicht von Flammen oder anderer Hitze. Falls Netzstecker oder elektrischer Anschluss nicht an stets erreichbarer Stelle möglich sind, sollte ein allpoliger Trennschalter (Sicherungen, Schalter etc.) in die Zuleitung integriert werden, der den elektrotechnischen Vorgaben entspricht und natürlich gut erreichbar sein sollte.
- Das Gerät darf bei Installation, Reparatur und beim Umstellen/Verrücken nicht mit der Stromversorgung verbunden sein.
- Schließen Sie das Gerät an eine Steckdose an, deren Spannung und Netzfrequenz den Angaben auf dem Typenschild des Gerätes entspricht.
- (Wenn Ihr Produkt kein Netzkabel hat) Verwenden Sie ausschließlich Anschlusskabel eines Typs,



der im Abschnitt „Technische Daten“ angegeben ist.

- Klemmen Sie das Netzkabel nicht unter oder hinter das Gerät. Stellen Sie keine schweren Gegenstände auf dem Netzkabel ab. Netzkabel dürfen nicht geknickt oder gequetscht werden und sie dürfen keine heißen Stellen berühren.
- Vergessen Sie nicht, dass sich die Rückwand des Ofens im Betrieb ebenfalls erhitzt. Netzkabel dürfen daher nicht die Rückwand berühren; die Isolierung kann schmelzen, Kurzschlüsse oder Stromschläge sind in diesem Fall vorprogrammiert.
- Achten Sie darauf, dass Versorgungskabel nicht in der Ofentür eingeklemmt werden, verlegen Sie Kabel nicht über heiße Stellen. Falls die Isolierung schmilzt, kann es schnell zu Kurzschlüssen, damit auch zu Bränden kommen.
- Verwenden Sie nur Originalkabel. Verwenden Sie keine gekürzten, beschädigten oder Verlängerungskabel.

- Falls das Netzkabel beschädigt wird, muss es vom Hersteller, dem autorisierten Kundendienst oder einer vom Importeur angegebenen Fachkraft instandgesetzt werden, damit es nicht zu Gefährdungen kommt.
- **WARNUNG:** Trennen Sie das Gerät vollständig von der Stromversorgung, bevor Sie die Ofenlampe wechseln. Andernfalls besteht Stromschlaggefahr. Ziehen Sie den Netzstecker oder schalten Sie die zugehörige Sicherung ab.

(Wenn Ihr Produkt einen Stecker hat)

- Schließen Sie das Gerät nicht an defekte oder marode Steckdosen an. Dazu zählen Steckdosen, die nicht mehr fest in der Wand sitzen, bei denen Kabel oder Beschädigungen zu sehen sind, auch verschmutzte, verölte Steckdosen sowie Steckdosen, die in Kontakt mit Wasser oder anderen Flüssigkeiten kommen können – zum Beispiel durch Wasser, das von der Arbeitsplatte tropft.

- Berühren Sie den Netzstecker niemals mit feuchten oder gar nassen Händen! Widerstehen Sie der Versuchung, den Netzstecker am Kabel aus der Steckdose zu ziehen: Fassen Sie immer den Stecker selbst. Andernfalls kann es schnell passieren, dass Sie die ganze Steckdose aus der Wand reißen oder es zum Kabelbruch kommt.
- Achten Sie darauf, dass der Netzstecker immer vollständig in die Steckdose eingesteckt ist. Andernfalls können Funken überschlagen, es besteht Brandgefahr.
- Legen Sie keine Fremdkörper auf dem Gerät ab, tragen Sie das Gerät aufrecht.
- Hüllen Sie das Gerät vor dem Transportieren mit Luftpolsterfolie (die mit den kleinen Blasen) oder kräftigem Karton ein, anschließend mit Klebeband fixieren. Fixieren Sie auch entnehmbare oder bewegliche Teile des Gerätes großzügig mit Klebeband, damit nichts beschädigt wird.
- Prüfen Sie das Gerät nach dem Transport akribisch auf Transportschäden.

## **Sicherheit beim Transport**

- Trennen Sie das Gerät vollständig von der Stromversorgung, auch wenn es nur über sehr kurze Strecken transportiert, also nur umgesetzt wird.
- Das Gerät ist schwer, Sie brauchen also mindestens einen zusätzlichen Helfer.
- Missbrauchen Sie die Tür und den Türgriff nicht zum Tragen oder Umsetzen des Gerätes.

## **Sicherheitshinweise zur Installation**

- Prüfen Sie das Gerät auf Beschädigungen, bevor es an die Installation geht. Falls Sie Beschädigungen feststellen sollten, installieren Sie das Gerät nicht.
- Stellen Sie das Gerät nicht in der Nähe von Wärmequellen (z. B. Heizungen, Heizöfen und dergleichen) auf.
- Halten Sie sämtliche Belüftungsöffnungen am Gerät frei.

- Verzichten Sie auf eine Aufstellung hinter Dekotüren, da Überhitzung droht.



### **Sicher bedienen**

- Denken Sie daran, das Gerät nach dem Einsatz wieder abzuschalten.
- Falls Sie das Gerät längere Zeit nicht nutzen, ziehen Sie den Netzstecker oder schalten die Sicherung ab.
- Benutzen Sie das Gerät nicht, falls Sie Fehlfunktionen oder Beschädigungen feststellen. Falls etwas nicht stimmen sollte, trennen Sie die Stromversorgung/Gaszufuhr des Gerätes und wenden sich an den autorisierten Kundendienst.
- Benutzen Sie das Gerät nicht ohne Türglasscheibe, natürlich auch dann nicht, falls die Scheibe beschädigt ist.
- Steigen Sie niemals auf das Gerät.
- Nutzen Sie das Gerät nicht, wenn Sie nicht ganz bei der Sache sind – zum Beispiel, wenn Sie stark wirkende Medizin genommen oder Sie unter Alkohol- oder Drogeneinfluss stehen.
- Brennbare Gegenstände Garraum können Feuer fangen. Bewahren Sie niemals brennbare Gegenstände im Ofen auf.
- Der Backofengriff mag dazu verführen, ist aber dennoch keinesfalls ein Handtuchtrockner. Hängen Sie keine Handtücher, Handschuhe oder ähnliche Dinge darüber.
- Die Scharniere an der Tür bewegen und schließen sich, wenn Sie die Tür öffnen oder schließen. Fassen Sie die Tür beim Öffnen oder Schließen nicht am Teil mit den Scharnieren.



### **Warnhinweise zu hohen Temperaturen**

- **WARNUNG:** Das Gerät erwärmt sich natürlich im Betrieb, auch erreichbare Teile erhitzen sich stark. Berühren Sie keine heißen Teile, vor allem nicht die Heizelemente. Kinder unter 8 Jahren sollten nur unter Aufsicht eines Erwachsenen in die Nähe des eingeschalteten Gerätes gelassen werden.

- Stellen Sie keine brennbaren oder gar explosiven Gegenstände in der Nähe des Gerätes ab – auch an den Seiten des Gerätes kann es im Betrieb heiß werden.
- Halten Sie beim Öffnen der Ofentür Abstand, da heißer Dampf aus der Tür austritt. Der Dampf kann Hände, Gesicht und Augen verbrühen.
- Das Gerät erhitzt sich natürlich im Betrieb. Berühren Sie keine heißen Stellen, fassen Sie vor allem nicht an die Wände des Garraums, die Heizelemente und alles, was sich ebenfalls stark erhitzt.
- Ziehen Sie am besten Ofenhandschuhe über, wenn Sie Speisen in den heißen Ofen geben oder herausnehmen.

### **Zubehör**

- Achten Sie darauf, dass Grillrost und Bleche richtig in den Einschüben sitzen. Mehr dazu finden Sie im Abschnitt „Zubehör verwenden“.
- Zubehör im Garraum kann das Glas der Ofentür beim Schließen beschädigen,

wenn es nicht richtig sitzt. Schieben Sie Zubehörteile immer komplett in den Garraum.

### **Sicherheit beim Kochen**

- Geben Sie besonders beim Kochen mit Alkohol Acht. Alkohol verdampft schon bei relativ geringen Temperaturen, kann sich beim Kontakt mit heißen Stellen entzünden und, damit natürlich Brände verursachen.
- Speisereste, Öl, Fett und andere brennbare Dinge im Garraum und in unmittelbarer Nähe können Feuer fangen. Entfernen Sie solche Verunreinigungen vor der nächsten Nutzung.
- Lebensmittelvergiftungsgefahr: Lassen Sie Speisen nicht länger als etwa eine Stunde vor und nach der Zubereitung im Ofen. Manche Lebensmittel verderben sehr schnell und eine Lebensmittelvergiftung kann die Folge sein.
- Erhitzen Sie Speisen nicht in geschlossenen Dosen, Konserven oder Glasbehältern. Die Speisen dehnen sich beim Erhitzen

aus, können den Behälter sprengen – teilweise mit einiger Wucht!

- Legen Sie Kochgeschirr oder Ofenzubehör (Rost, Blech etc.) mit Backpapier aus, geben Sie die Speisen dazu, stellen Sie dann alles in den bereits vorgeheizten Ofen. Entfernen Sie überschüssiges Backpapier, das über den Rost, das Blech oder den Behälter hinausragt, damit das Backpapier nicht an die Heizelemente gerät. Verwenden Sie Backpapier niemals bei Ofentemperaturen, für die das Papier nicht mehr geeignet ist. Legen Sie den Ofenboden niemals mit Backpapier aus!
- Stellen Sie Bleche, Teller, Behälter und dergleichen nicht direkt auf den Ofenboden, bedecken Sie den Ofenboden nicht mit Alufolie. Andernfalls kann sich ein Hitzestau bilden, der den Ofenboden und die Teile darunter beschädigen kann.
- Halten Sie die Ofentür beim Grillen geschlossen. Man kommt leicht an heiße Stellen. Verbrennungsgefahr!

- Speisen, die sich nicht zum Grillen eignen, können sich entzünden und Brände verursachen. Grillen Sie nur Speisen, denen die kräftigen Grilltemperaturen nichts ausmachen. Achten Sie auch auf einen gewissen Abstand der Speisen zur Rückwand des Ofens. Dort entsteht die größte Hitze, daher können stark fetthaltige Speisen Feuer fangen.



### **Sicherheitshinweise zum Reinigen und Pflegen**

- Warten Sie, bis das Produkt abgekühlt ist, bevor Sie das Produkt reinigen. Heiße Oberflächen verursachen Verbrennungen!
- Waschen Sie das Gerät nicht mit Wasser ab, besprühen Sie das Gerät nicht mit Wasser! Stromschlaggefahr!
- Reinigen Sie das Gerät nicht mit Dampfreinigern – der hohe Feuchtigkeitsanteil im Dampf kann zu Stromschlägen führen.
- Verzicht auf scharfe Scheuermittel, Metallschaber, Stahlwolle sowie Bleichmittel.

Solche Dinge können die  
Glasflächen zerkratzen und  
anderweitig beschädigen.

## 2 Hinweise zum Umweltschutz

### Richtig entsorgen

#### Erfüllung von WEEE-Vorgaben zur Entsorgung von Altgeräten



Dieses Produkt erfüllt die Vorgaben der EU-WEEE-Direktive (2012/19/EU). Das Produkt wurde mit einem Klassifizierungssymbol für elektrische und elektronische Altgeräte (WEEE) gekennzeichnet.

Dieses Gerät wurde aus hochwertigen Materialien hergestellt, die wiederverwendet und recycelt werden können. Entsorgen Sie das Gerät am Ende seiner Einsatzzeit nicht mit dem regulären Hausmüll; geben Sie es stattdessen bei einer Sammelstelle zur Wiederverwertung von elektrischen und elektronischen Altgeräten ab. Ihre Stadtverwaltung informiert Sie gerne über geeignete Sammelstellen in Ihrer Nähe.

Durch eine ordnungsgemäße Entsorgung gebrauchter Geräte können mögliche negative Folgen für die Umwelt und die menschliche Gesundheit vermieden werden.

#### Einhaltung von RoHS-Vorgaben:

Das von Ihnen erworbene Produkt erfüllt die Vorgaben der EU-RoHS Direktive (2011/65/EU). Es enthält keine in der Direktive angegebenen gefährlichen und unzulässigen Materialien.

### Verpackungsmaterialien entsorgen

- Die Verpackung des Gerätes besteht aus wiederverwertbaren Materialien. Entsorgen Sie diese vorschriftsgemäß und entsprechend sortiert. Entsorgen Sie solche Materialien nicht mit dem normalen Hausmüll.

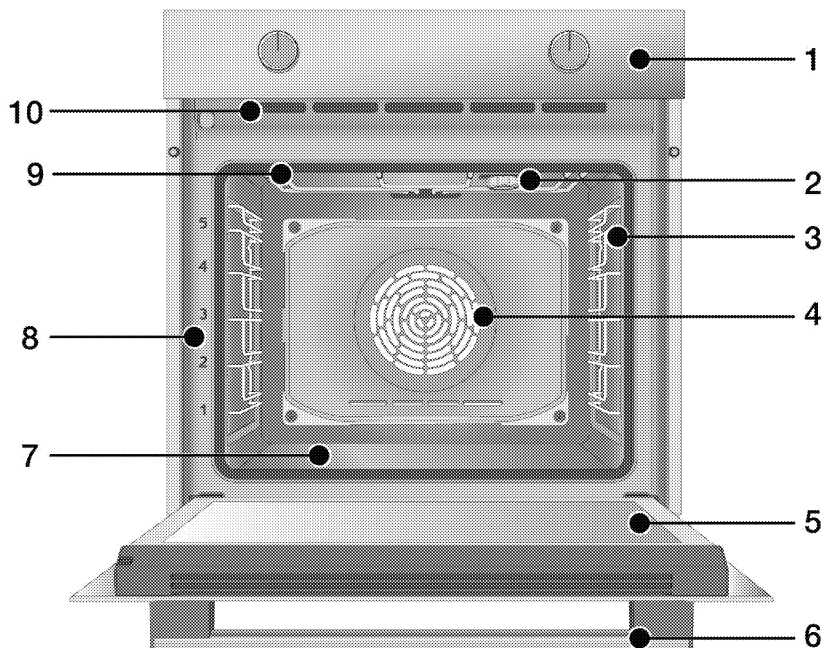
### Tipps zum Energiesparen

Die folgenden Vorschläge sollen Ihnen helfen, Ihr Gerät besonders wirtschaftlich und energiesparend zu benutzen.

- Tauen Sie gefrorene Speisen vor dem Garen auf.
- Benutzen Sie im Ofen möglichst dunkles oder emailliertes Kochgeschirr, das Hitze besonders gut leitet.
- Schalten Sie das Gerät 5 – 10 Minuten vor dem Garzeitende ab: Die Resthitze reicht gewöhnlich bis zum Abschluss. So können Sie bis zu 20 % Energie sparen, die wirklich nicht nötig ist.
- Heizen Sie den Ofen vor, wenn dies im Rezept oder in der Anleitung angegeben ist. Verzichten Sie auf häufiges Öffnen der Ofentür.
- Versuchen Sie, möglichst mehrere Gerichte auf einmal im Ofen zuzubereiten. Dazu stellen Sie beispielsweise gleich zwei Behälter auf den Rost. Obendrein: Wenn Sie zwei Gerichte gleich nacheinander garen, sparen Sie natürlich auch Energie, da der Ofen seine Wärme nicht verliert.

### 3 Ihr neues Gerät

#### Ihr neues Gerät



- 1 Bedienfeld
- 2 Lampe\*
- 3 Drahtregale\*\*
- 4 Lüftermotor (hinter Stahlplatte)
- 5 Durch
- 6 Handhabung
- 7 Bodenheizung (untere Stahlplatte)
- 8 Regal-Positionen
- 9 Oberheizung
- 10 Belüftungsöffnungen

\* Das hängt vom Modell ab.  
Möglicherweise ist Ihr Produkt nicht mit einer Lampe ausgestattet, oder der Typ und die Position der Lampe können von der Abbildung abweichen.

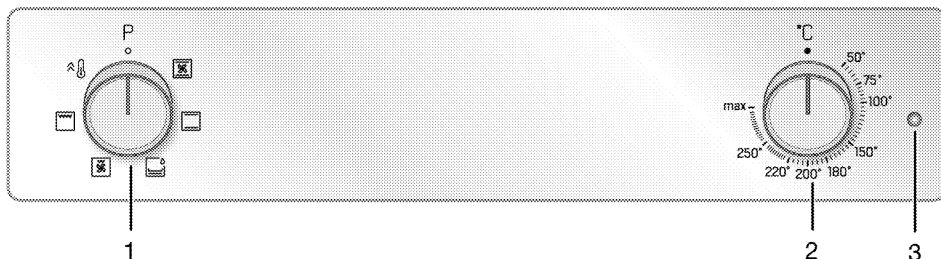
\*\* Das hängt vom Modell ab. Ihr Produkt kann ohne Drahtregale sein. In der Abbildung sind Drahtregale als Beispiele dargestellt.



## Bedienfeld und Bedienung

In diesem Abschnitt erfahren Sie, welche Funktionen das Bedienfeld Ihres Gerätes bietet und wie Sie diese bedienen. Abbildungen und einige Funktionen können je nach Produktmodell etwas unterschiedlich ausfallen.

### Ofen-Steuerung



- 1 Funktionsauswahl-Knopf
- 2 Temperatur knopf
- 3 Thermostat-Lampe

Wenn Ihr Produkt über Drehknebel gesteuert wird, können diese in der Blende versenkt sein und kommen durch Drücken heraus. Für Einstellungen, die mit den Knöpfen vorgenommen werden sollen, drücken Sie zuerst den entsprechenden Knopf und ziehen Sie ihn dann heraus. Nachdem Sie Ihre Einstellung vorgenommen haben, drücken Sie ihn wieder hinein.

#### Funktionsauswahl-Knopf

Mit dem Funktionswahl- Knopf können Sie die Betriebsfunktionen des Ofens auswählen. Drehen Sie von der Aus- (oberen) Position aus nach links/rechts, um auszuwählen.

#### Temperatur knopf








Mit dem Temperatur-Knopf können Sie die Temperatur wählen, mit der Sie kochen möchten. Drehen Sie zur Auswahl von der Aus- (oberen) Position aus im Uhrzeigersinn.

#### Temperatur-Indikator

An der Temperaturlampe können Sie die Innentemperatur des Ofens ablesen. Die Temperaturlampe befindet sich auf dem Bedienfeld. Die Temperaturlampe leuchtet auf, wenn das Produkt startet, und die Temperaturlampe erlischt, wenn die eingestellte Temperatur erreicht ist. Wenn die Temperatur im Inneren des Ofens unter die eingestellte Temperatur fällt, leuchtet die Temperaturlampe wieder auf.

## Ofenfunktionen

Die Funktionstabelle zeigt Ihnen die unterschiedlichen Funktionen Ihres Ofens, zusätzlich Minimal- und Maximaltemperatur zur jeweiligen Funktion. Die Reihenfolge der hier gezeigten Funktionen muss nicht zwingend mit der Reihenfolge an Ihrem Gerät übereinstimmen.

Funktions-symbol	Funktion	Temperaturbereich (°C)	Beschreibung und Verwendung
	Ober-/Unterhitze	*	Die Speisen werden gleichzeitig von oben und unten gegart (Oberhitze/Unterhitze). Für Kuchen und Aufläufe in Backformen, auch für andere Kuchen und Gebäck. Beim Garen wird nur ein einziges Blech verwendet.
 	Unterhitze	*	Nur das untere Heizelement wird aktiv (Unterhitze). Für Speisen, die etwas mehr Hitze an der Unterseite benötigen. Diese Funktion empfiehlt sich auch bei der Dampfreinigung.
	Umluft	*	Die Hitze der oberen und unteren Heizelemente wird durch den Lüfter schnell und gleichmäßig im Ofen verteilt. Beim Garen wird nur ein einziges Blech verwendet.
	Goßflächengrill	*	Das große Grillelement an der Ofendecke wird aktiv. Zum Grillen größerer Portionen.
	Grill + Umluft	*	Die Hitze des kleinen Grillelementes wird durch den Lüfter schnell und gleichmäßig im Ofen verteilt. Zum Grillen kleiner Mengen.
	Schnelles Erhitzen	-	Sämtliche Heizelemente im Ofen werden aktiv. Mit dieser Funktion bringen Sie den Ofen schnell auf die gewünschte Temperatur (Vorheizen). Nicht zum Garen von Speisen geeignet.

\* Ihr Gerät arbeitet mit der ausgewählten Temperatur.

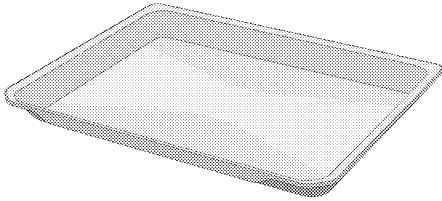
## Zubehör

Es gibt eine Vielzahl unterschiedlichem Zubehör für Ihr Gerät. In diesem Abschnitt erfahren Sie etwas über dieses Zubehör und wie man es richtig benutzt. Je nach Gerätemodell wird unterschiedliches Zubehör angeboten. Eventuell ist nicht sämtliches in dieser Anleitung beschriebene Zubehör für Ihr Gerät erhältlich.

---

**HINWEIS** : Das Zubehör in Ihrem Produkt können durch den Einfluss der Temperatur verformt werden. Dies hat keine Auswirkung auf die Funktion. Die Verformung verschwindet, wenn das Zubehör abkühlt.

---

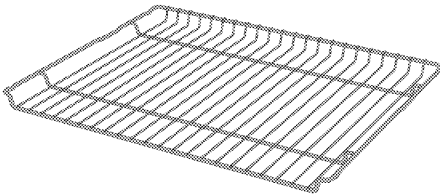


### Standard-Tablett

Für Gebäck, Gefrorenes und zum Braten oder Backen großer Teile.

---

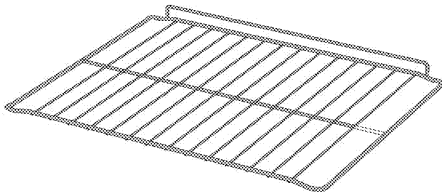
### Modelle mit Drahtfachböden:



### Draht-Grill

Zum Braten/Backen unterschiedlicher Speisen im passenden Einschub.

### Modelle ohne Drahtregale:

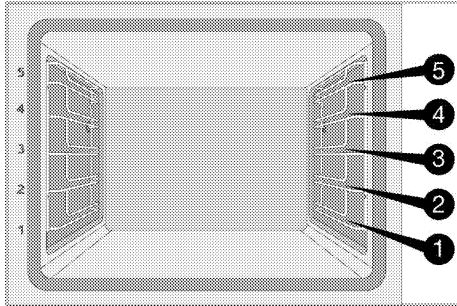


# Verwendung von Produktzubehör

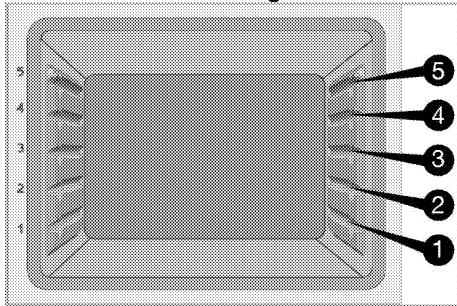
## Seitengitter

Die Seitengitter haben fünf Einschubebenen. Sie können die Nummer der Einschubebene auch an den Zahlen auf dem Frontrahmen des Ofens sehen.

### Modelle mit Drahtfachböden



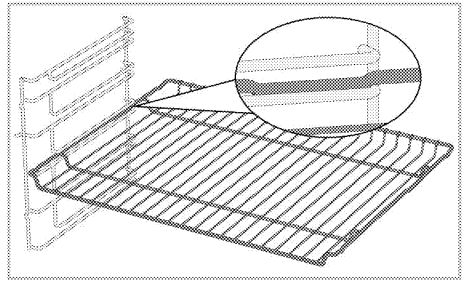
### Modelle ohne Drahtregale



## Platzierung des Grillrost in den Einschüben

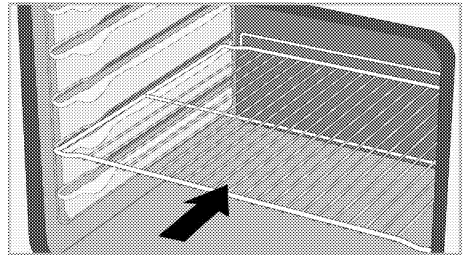
### Modelle mit Drahtfachböden:

Es ist wichtig, dass der Rost korrekt in den Einschüben platziert ist. Der Rost sollte mit dem offenen Teil des Rostes nach vorne in die gewünschte Ebene geschoben werden. Für eine gute Backleistung sollte der Rost so platziert werden, dass er an der Sperre anschlägt. Die Sperre sollte nicht übersprungen werden und der Rost darf nicht an der Rückwand des Ofens aufliegen.



### Modelle ohne Drahtregale:

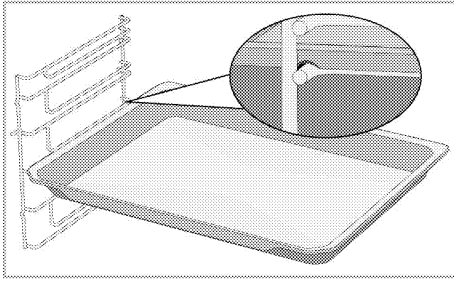
Es ist wichtig, dass der Rost korrekt in den Einschüben platziert ist. Der Rost hat eine Richtung, wenn es auf das Regal gestellt wird. Der Rost sollte mit dem offenen Teil des Rostes nach vorne in die gewünschte Ebene geschoben werden.



## Platzierung des Backblechs in den Einschüben

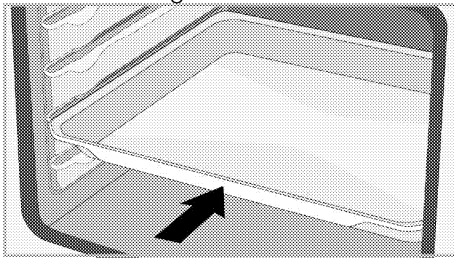
### Modelle mit Drahtfachböden:

Es ist wichtig, dass die Backbleche korrekt in den Einschüben platziert werden. Das Backblech sollte so im Einschub platziert werden, dass die Form, die zum Halten gestaltet wurde, nach vorne zeigt. Für eine gute Backleistung sollte das Backblech so platziert werden, dass es an der Sperre anschlägt. Die Sperre sollte nicht übersprungen werden und das Backblech darf nicht an der Rückwand des Ofens aufliegen.



### Modelle ohne Drahtregale:

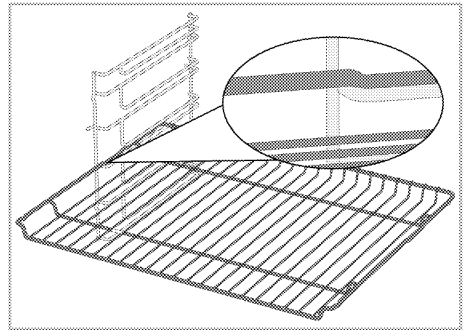
Es ist wichtig, dass die Backbleche korrekt in den Einschüben platziert werden. Das Backblech hat eine Richtung, wenn es auf das Regal gestellt wird. Das Backblech sollte so im Einschub platziert werden, dass die Form, die zum Halten gestaltet wurde, nach vorne zeigt.



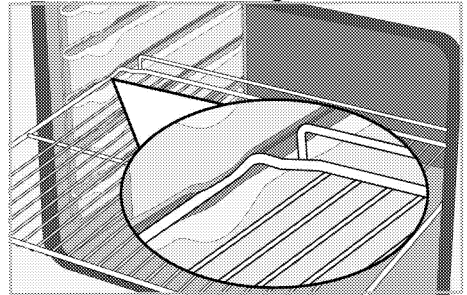
### Rost Sperrfunktion

Es besteht eine Sperrfunktion, um ein Herauskippen des Rostes aus dem Einschub zu verhindern. Mit dieser Funktion können Sie Ihr Essen einfach und sicher entnehmen. Wenn Sie den Rost herausnehmen, können Sie ihn nach vorne ziehen, so dass er an der Sperre anschlägt. Sie müssen die Sperre überspringen, um ihn vollständig zu entnehmen.

### Modelle mit Drahtfachböden

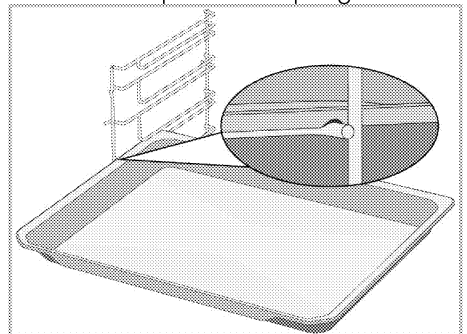


### Modelle ohne Drahtregale



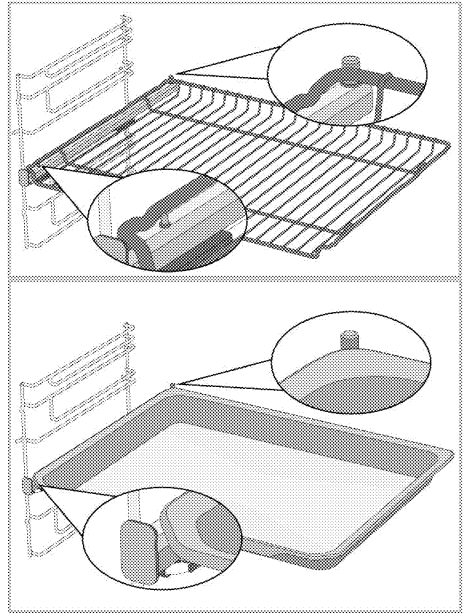
### Backblech Sperrfunktion - Modelle mit Drahtfachböden

Es besteht eine Sperrfunktion, um ein Herauskippen des Backblechs aus dem Einschub zu verhindern. Wenn Sie das Backblech herausziehen, überspringen Sie die hintere Sperre des Backblechs und ziehen Sie es zu sich, so dass es in die vordere Sperre einrastet. Um es vollständig zu entnehmen, müssen Sie die vordere Sperre überspringen.



## **Richtige Platzierung des Rostes und des Backblechs auf den Teleskopschienen Modelle mit Drahtfachböden und Teleskopschienen**

Dank der Teleskopschienen können Grillroste oder Backbleche einfach eingesetzt und entnommen werden. Bei der Verwendung der Grillroste oder Backbleche mit der Teleskopschiene sollte darauf geachtet werden, dass die Stifte an der Vorder- und Rückseite der Teleskopschienen wie auf der Abbildung gezeigt, an den Kanten des Rostes und des Backblechs anliegen.



# Technische Spezifikationen

## Allgemeine Spezifikationen

Produkt-Außenabmessungen (Höhe/Breite/Tiefe)	595 mm/594 mm/567 mm
Einbaumaße des Ofens (Höhe/Breite/Tiefe)	590 oder 600 mm/560 mm/min. 550 mm
Spannung / Frequenz	220-240 V ~ 50 Hz
Verwendeter Kabeltyp und -querschnitt / geeignet für die Verwendung im Produkt	min. H05VV-FG 3 x 1,5 mm <sup>2</sup>
Gesamte Leistungsaufnahme	2.4 kW
Ofen typ	Ofen mit Gebläse

# Grundlagen: Die Angaben zur Energieetikettierung von elektrischen Öfen werden gemäß der Norm EN 60350-1 / IEC 60350-1 gemacht. Diese Werte werden unter Standardlast bei Ober-/Unterhitze oder im Umluftbetrieb (falls vorhanden) ermittelt.

Die Energieeffizienzklasse wird gemäß der folgenden Priorisierung bestimmt, je nachdem, ob die relevanten Funktionen auf dem Produkt vorhanden sind oder nicht: 1-Öko-Heißluft, 2-Heißluft 3- Grill + Umluft, 4-Ober-/Unterhitze.



Technische Spezifikationen können ohne vorherige Ankündigung geändert werden, um die Qualität des Produkts zu verbessern.



Die Abbildungen in diesem Handbuch sind schematisch und entsprechen möglicherweise nicht genau Ihrem Produkt.



Die auf den Produktetiketten oder in der Begleitdokumentation angegebenen Werte werden unter Laborbedingungen in Übereinstimmung mit den einschlägigen Normen ermittelt. Je nach Betriebs- und Umgebungsbedingungen des Produkts können diese Werte variieren.

## 4 Erster Einsatz

Machen Sie sich am besten mit den folgenden Abschnitten vertraut, bevor Sie Ihr neues Gerät zum ersten Mal verwenden.

### Erste Reinigung

1. Entfernen Sie das gesamte Verpackungsmaterial.
2. Nehmen Sie das mitgelieferte Zubehör aus dem Ofen.
3. Lassen Sie das Gerät 30 Minuten lang arbeiten, schalten Sie es danach wieder ab. Auf diese Weise werden Rückstände und Schutzbeschichtungen abgebrannt und somit beseitigt. Dabei kann es etwas riechen.
4. Stellen Sie die höchste Temperatur ein, überzeugen Sie sich davon, dass sämtliche Heizelemente Ihres Gerätes richtig arbeiten. Schauen Sie sich den Abschnitt „Ofenfunktionen“ an. Im folgenden Abschnitt erfahren Sie, wie Sie Ihren neuen Ofen bedienen.
5. Warten Sie ab, bis der Ofen abgekühlt ist.
6. Wischen Sie die Außenflächen des Gerätes mit einem feuchten Tuch oder Schwamm ab, trocknen Sie mit einem trockenen Tuch nach.

### Vor Einsatz des Zubehörs:

Reinigen Sie die Zubehörteile (im Garraum geliefert) mit Wasser, etwas Geschirrspülmittel und einem weichen Schwamm.

**HINWEIS** Einige Detergenzien oder Reinigungsmittel können die Oberfläche beschädigen. Verwenden Sie bei der Reinigung keine scheuernden Reinigungsmittel, Reinigungspulver, Reinigungscremes oder scharfe Gegenstände.

**HINWEIS** Bei der ersten Anwendung kann es über mehrere Stunden zu Rauch- und Geruchsentwicklung kommen. Dies ist normal, und Sie brauchen nur eine gute Belüftung, um es zu entfernen. Vermeiden Sie das direkte Einatmen von Rauch und Gerüchen, die sich bilden.



## 5 Bedienung des Backofens

### Allgemeine Informationen zum Ofen

#### Kühlgebläse (Es ist möglicherweise nicht in Ihrem Produkt enthalten.)

Ihr Gerät ist mit einem Kühlgebläse ausgestattet. Das Kühlgebläse schaltet sich bei Bedarf von selbst ein, kühlt dabei das Gerät und die Möbel in unmittelbarer Nähe. Das Gebläse schaltet sich automatisch ab, sobald seine Arbeit erledigt ist. Über der Tür strömt heiße Luft aus dem Ofen. Decken Sie diese Belüftungsöffnungen mit nichts ab. Andernfalls kann sich der Ofen überhitzen.

Das Kühlgebläse läuft, während der Ofen arbeitet, kann nach dem Abschalten noch etwa 20 – 30 Minuten lang nachlaufen. Wenn Sie den Ofen mit Timer programmieren, schaltet sich das Kühlgebläse zum Ablauf der Garzeit zusammen mit allen anderen Funktionen ab. Das Kühlgebläse lässt sich nicht manuell ein- und ausschalten. Er schaltet sich bei Bedarf automatisch ein und aus. Dies ist kein Fehler, dies ist so gewollt.

#### Ofenbeleuchtung

Die Ofenbeleuchtung schaltet sich an, sobald Sie den Ofen verwenden. Bei manchen Modellen leuchtet die Beleuchtung während des gesamten Garens, bei anderen Modellen schaltet sie sich nach einer bestimmten Zeit ab.

### So nutzen Sie die Bedienelemente

#### Einschalten des Ofens

Wenn Sie mit dem Funktionswahlknopf eine Betriebsfunktion auswählen, mit der Sie kochen möchten, und mit dem Temperaturknopf eine bestimmte

Temperatur einstellen, beginnt der Ofen zu arbeiten.

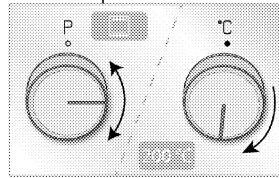
#### Ausschalten des Ofens

Sie können den Ofen ausschalten, indem Sie den Funktionsauswahlknopf und den Temperaturknopf in die Aus-Position (nach oben) drehen.

#### Auswahl der Temperatur und der Betriebsfunktion des Ofens

Sie können kochen, indem Sie die manuelle Steuerung (unter Ihrer Kontrolle) vornehmen, indem Sie die Temperatur und die Betriebsfunktion speziell für Ihr Lebensmittel wählen.

Ein Beispiel:



1. Wählen Sie mit dem Funktionswahlknopf die Betriebsfunktion, mit der Sie kochen wollen.
2. Stellen Sie die Temperatur, mit der Sie kochen möchten, mit dem Temperaturknopf ein.

» Ihr Ofen wird sofort mit der gewählten Funktion und Temperatur in Betrieb genommen, und die Temperaturlampe leuchtet auf. Wenn die Temperatur im Inneren des Ofens die eingestellte Temperatur erreicht, erlischt die Temperaturlampe. Der Ofen schaltet sich nach dem Start des Kochvorgangs nicht automatisch aus. Sie müssen das Kochen selbst kontrollieren und ausschalten. Wenn der Garvorgang abgeschlossen ist, schalten Sie den Ofen aus, indem Sie den Funktionswahlknopf und den Temperaturknopf in die Stellung Aus (oben) drehen.

## 6 Allgemeine Hinweise zum Backen

In diesem Abschnitt werden Tipps zum Zubereiten und Garen Ihres Essens beschrieben.

Darüber hinaus finden Sie einige bewährte Zubereitungsempfehlungen mitsamt den besten Einstellungen für diese Speisen. Zusätzlich geben wir auch an, welches Zubehör sich am besten eignet.

### Allgemeine (Warn-) Hinweise zum Backen, Braten und Grillen

- Beim Öffnen der Ofentür kann beim Garen und auch noch eine Weile später heißer Dampf entweichen. Der Dampf kann Hände, Gesicht und Augen verbrühen. Halten Sie beim Öffnen der Ofentür also etwas Abstand.
- Beim Garen kann sich Feuchtigkeit an den Innen- und Außenflächen des Ofens niederschlagen. Dies ist völlig normal, und kein Fehler.
- Gartemperaturen und Garzeiten unterschiedlicher Speisen ändern sich je nach Rezept und Menge. Deswegen geben wir solche Werte mit einem gewissen Spielraum an.
- Vergessen Sie nicht, nicht benötigtes Zubehör aus dem Ofen zu nehmen, bevor Sie mit dem Garen beginnen. Unnötiges Zubehör im Ofen kann bewirken, dass Ihre Speisen nicht richtig gelingen.
- Wenn Sie gerne nach ganz eigenen Rezepten kochen, können Sie sich grob an den Tabellenangaben für ähnliche Speisen orientieren.
- Das mitgelieferte Zubehör wurde speziell für Ihr Gerät gefertigt und sorgt gewöhnlich für eine besonders gute Garleistung. Beachten Sie

grundsätzlich sämtliche Informationen und Warnungen des Herstellers, wenn Sie Zubehör oder Kochgeschirr anderer Anbieter verwenden.

- Schneiden Sie Backpapier immer auf die jeweilige Größe des Kochgeschirrs zu. Überstehendes Backpapier kann sich entzünden. Verwenden Sie Backpapier niemals bei einer Betriebstemperatur, welche die für das Backpapier angegebenen Werte übersteigt.
- Verwenden Sie stets den empfohlenen Einschub für Ihre Speisen, damit alles wie erwartet gelingt. Wechseln Sie den Einschub nicht beim Garen.

### Backwaren und andere Ofengerichte

#### Allgemeine Hinweise

- Wir empfehlen das Originalzubehör zu nutzen, damit Ihr Gerät immer seine beste Leistung erbringt. Achten Sie bei hinzugekauftem Kochgeschirr darauf, dass es möglichst dunkel, antihafbeschichtet und natürlich hochgradig hitzebeständig ist.
- Sofern Vorheizen in der Zubereitungstabelle empfohlen wird, sollten Sie sich daran halten.
- Wenn Sie Kochgeschirr auf den Rost stellen, stellen Sie dieses möglichst in die Mitte, nicht in die Nähe der Rückwand.
- Sämtliche Zutaten sollten frisch sein und möglichst Zimmertemperatur haben.
- Die Garzeiten der Speisen hängen von der jeweiligen Menge, aber auch von der Größe des Kochgeschirrs ab.
- Metall-, Keramik- und Glasformen verlängern die Garzeit und die Unterseite von Gebäck bräunt nicht gleichmäßig.

- Durch den Gebrauch von Backpapier kann es vorkommen, dass der Boden des Gargutes nach Ende der Garzeit noch nicht ausreichend gebräunt ist. In diesem Fall verlängern Sie die Backzeit um bis zu 10 Minuten.
- Die Angaben in der Zubereitungstabelle wurden bei Versuchen in unserem Labor ermittelt. Daher sind Abweichungen von den Angaben bei der Zubereitung bei Ihnen zu Hause möglich.
- Wählen Sie den in der Zubereitungstabelle empfohlenen Einschub für die Speisen. Dabei betrachten wir den untersten Einschub des Ofens als Einschub Nummer 1.

### **Tipps zum Kuchenbacken**

- Falls Kuchen zu trocken wird, erhöhen Sie die Temperatur um 10 °C und backen etwas kürzer.
- Wenn Kuchen beim Anschneiden innen noch feucht ist, verwenden Sie etwas weniger Flüssigkeit oder vermindern die Temperatur um 10 °C.
- Falls die Oberseite des Kuchens verbrennt, wählen Sie einen niedrigeren Einschub, vermindern die Temperatur ein wenig und gleichen dies mit einer etwas längeren Backzeit aus.

- Wenn Kuchen gut gelingen, aber außen klebrig bleiben, verwenden Sie weniger Flüssigkeit, vermindern die Temperatur, aber verlängern die Backzeit dafür ein wenig.

### **Tipps für die Zubereitung von Gebäck**

- Falls Gebäck zu trocken wird, vermindern Sie die Temperatur um 10 °C und backen etwas kürzer. Bestreichen Sie den Teig mit einer Mischung aus Milch, Öl, Ei und etwas Joghurt.
- Falls Gebäck sehr lange zum Backen braucht, achten Sie darauf, das Blech nicht mit Gebäck zu überladen.
- Falls Gebäck an der Oberseite gebräunt wird, der Boden aber nicht richtig durchgebacken wird, achten Sie darauf, den Boden nicht oder nur wenig mit Flüssigkeit zu bestreichen. Achten Sie zur gleichmäßigen Bräunung darauf, die Flüssigkeit oder Glasur möglichst gleichmäßig aufzutragen.
- Halten Sie sich bei der Auswahl des richtigen Einschubs und der passenden Temperatur an die Empfehlungen in der Zubereitungstabelle. Falls der Boden nicht richtig gebräunt werden sollte, entscheiden Sie sich beim nächsten Mal für einen Einschub weiter unten.

## Kochtisch für Gebäck und Backofen

Lebensmittel	Menge des Tablett	Zu verwendendes Zubehör	Funktion der Bedienung	Position des Regals	Temperatur (°C)	Kochzeit (min) (ca.)
Kuchen im Tablett	Einzelnes Tablett	Standard-Tablett*	Ober-/Unterhitze	3	180	30 ... 40
Kuchen in Form	Einzelnes Tablett	Kuchenform auf Drahtgrill**	Ober-/Unterhitze	2	180	30 ... 40
Kleine Kuchen	Einzelnes Tablett	Standard-Tablett*	Ober-/Unterhitze	3	160	25 ... 35
	Einzelnes Tablett	Standard-Tablett*	Umluft	3	150	20 ... 30
Biskuitkuchen	Einzelnes Tablett	Runde Kuchenform, 26 cm Durchmesser mit Klemme auf Drahtgrill.**	Ober-/Unterhitze	2	160	30 ... 40
	Einzelnes Tablett	Runde Kuchenform, 26 cm Durchmesser mit Klemme auf Drahtgrill.**	Umluft	2	160	20 ... 30
kekse	Einzelnes Tablett	Gebäck-Tablett*	Ober-/Unterhitze	3	170	25 ... 35
Teiggebäck	Einzelnes Tablett	Standard-Tablett*	Umluft	2	200	30 ... 40
Reichhaltiges Gebäck	Einzelnes Tablett	Standard-Tablett*	Ober-/Unterhitze	2	200	20 ... 30
Ganzes Brot	Einzelnes Tablett	Standard-Tablett*	Ober-/Unterhitze	2	200	30 ... 40
Lasagna	Einzelnes Tablett	Rechteckige Gussform aus Glas/Metall auf Drahtgrill.**	Ober-/Unterhitze	2 oder 3	200	30 ... 40
Apfelkuchen	Einzelnes Tablett	Runde schwarze Metallform, 20 cm Durchmesser auf Drahtgrill.**	Ober-/Unterhitze	2	180	50 ... 70
Pizza	Einzelnes Tablett	Standard-Tablett*	Ober-/Unterhitze	2	200 ... 220	10 ... 20

Vorwärmen wird für alle Lebensmittel empfohlen.

\* Dieses Zubehör ist möglicherweise nicht im Lieferumfang Ihres Produkts enthalten.

\*\* Dieses Zubehör ist nicht im Lieferumfang Ihres Produkts enthalten. Es handelt sich um im Handel erhältliches Zubehör.

## Fleisch, Fisch und Geflügel

### Wichtiges zum Rösten

- Würzen Sie Geflügel und größere Fleischportionen zuvor mit etwas Zitronensaft und Pfeffer.
- Fleisch mit Knochen braucht etwa 15 – 30 Minuten länger zum Garen als Fleisch ohne Knochen.
- Setzen Sie pro Zentimeter Fleischdicke etwa 4 – 5 Minuten Garzeit an.

- Lassen Sie Fleisch nach Ablauf der Garzeit noch etwa 10 Minuten lang im Ofen. So verteilt sich der Fleischsaft besser im Fleisch, läuft auch beim späteren Schneiden nicht in Strömen aus.
- Fisch gelingt auf einem hitzebeständigen Teller auf den mittleren bis unteren Einschüben am besten.

## Kochtisch für Fleisch, Fisch und Geflügel

Lebensmittel	Menge des Tablett	Zu verwendendes Zubehör	Funktion der Bedienung	Position des Regals	Temperatur (°C)	Kochzeit (min) (ca.)
Steak (ganz) / Braten (1 kg)	Einzelnes Tablett	Standard-Tablett*	Umluft	3	15 min 250/max, dann 180 ... 190	60 ... 80
Lammhaxe (1.5 - 2.0 kg)	Einzelnes Tablett	Standard-Tablett*	Umluft	3	15 min 250/max, dann 170	110 ... 120
Gebratenes Huhn (1.8-2 kg)	Einzelnes Tablett	Draht-Grill* Stellen Sie ein Tablett auf ein unteres Regal	Umluft	2	15 min 250/max, dann 190	60 ... 80
Truthahn (5.5 kg)	Einzelnes Tablett	Standard-Tablett*	Umluft	1	25 min 250/max, dann 180 ... 190	150 ... 210
Fisch	Einzelnes Tablett	Draht-Grill* Stellen Sie ein Tablett auf ein unteres Regal	Umluft	3	200	20 ... 30

Vorwärmen wird für alle Lebensmittel empfohlen.

\* Dieses Zubehör ist möglicherweise nicht im Lieferumfang Ihres Produkts enthalten.

\*\* Dieses Zubehör ist nicht im Lieferumfang Ihres Produkts enthalten. Es handelt sich um im Handel erhältliches Zubehör.

### Grillen

Rotes Fleisch, Fisch und Geflügel werden beim Grillen schnell lecker gebräunt, bekommen eine knackige Kruste und bleiben dabei schön saftig. Insbesondere flache Stücke, Fleischspieße, Würstchen sowie saftiges Gemüse (wie Tomaten, Zwiebeln und dergleichen) eignen sich besonders gut zum Grillen.

#### Allgemeine Vorsichtshinweise

- Speisen, die sich nicht zum Grillen eignen, können sich entzünden und Brände verursachen. Grillen Sie nur Speisen, denen die hohen Grilltemperaturen nichts ausmachen. Achten Sie auch auf einen gewissen Abstand der Speisen zur Rückwand des Ofens. Dort entsteht die größte Hitze, daher können stark fetthaltige Speisen Feuer fangen.
- **Halten Sie die Ofentür beim Grillen geschlossen. Grillen Sie niemals mit geöffneter Ofentür. Man kommt**

**leicht an heiße Stellen, Verbrennungsgefahr!**

#### Wichtiges zum Grillen

- Bereiten Sie die Speisen so vor, dass Dicke und Gewicht möglichst ähnlich sind.
- Legen Sie das Grillgut auf den Rost oder den Rost mit Blech darunter, verteilen Sie die Speisen möglichst gleichmäßig, ohne dabei den Rost zu überladen.
- Die in der Tabelle angegebenen Garzeiten können anhand der Menge und Dicke des Grillgutes etwas variieren.
- Schieben Sie den Rost oder den Rost mit Blech darunter in den passenden Einschub. Wenn Sie den Rost benutzen, schieben Sie das Backblech zum Auffangen von Fett und anderen Flüssigkeiten in den unteren Einschub. Das Blech sollte dabei natürlich zur Größe des Rostes passen, nicht kleiner sein. Eventuell wird ein solches Blech nicht

mitgeliefert. Geben Sie ein wenig Wasser in das Blech, damit es sich

später leichter reinigen lässt.

## Grilltisch

Lebensmittel	Zu verwendendes Zubehör	Position des Regals	Temperatur (°C)	Kochzeit (min) (ca.)
Fisch	Draht-Grill	4 - 5	250	20 ... 25
Hähnchen-Stücke	Draht-Grill	4 - 5	250	25 ... 35
Fleischkloß (Rindfleisch) - 12 Stücke	Draht-Grill	4	250	20 ... 30
Lammkotelett	Draht-Grill	4 - 5	250	20 ... 25
Steak - (in Scheiben geschnitten)	Draht-Grill	4 - 5	250	25 ... 30
Kalbskotelett	Draht-Grill	4 - 5	250	25 ... 30
Gemüsegratin	Draht-Grill	4 - 5	220	20 ... 30
Toastbrot	Draht-Grill	4	250	1 ... 3

Es wird empfohlen, für alle gegrillten Speisen 5 Minuten vorzuwärmen.  
Wenden Sie Lebensmittelstücke nach 1/2 der gesamten Grillzeit.

## Grill + Umluft

Lebensmittel	Zu verwendendes Zubehör	Funktion der Bedienung	Position des Regals	Temperatur (°C)	Kochzeit (min) (ca.)
Fisch	Draht-Grill	Grill + Umluft	4	200	30 ... 35
Hähnchen-Stücke	Draht-Grill	Grill + Umluft	4	250	25 ... 35
Fleischkloß (Rindfleisch) - 12 Stücke	Draht-Grill	Grill + Umluft	4	250	30 ... 40
Steak (ganz) / Braten (1 kg)	Draht-Grill Stellen Sie ein Tablett auf ein unteres Regal	Grill + Umluft	3	15 min 250, dann 180 ... 190	90 ... 110

Nicht für alle gegrillten Speisen auf diesem Grilltisch vorheizen.

## Testspeisen

Die Speisen in dieser Zubereitungstabelle wurden gemäß der Norm EN 60350-1 zur Geräteprüfung durch Prüfinstitute zubereitet.

### Kochtisch für Testnahrungsmittel

Lebensmittel	Menge des Tablett	Zu verwendendes Zubehör	Funktion der Bedienung	Position des Regals	Temperatur (°C)	Kochzeit (min) (ca.)
Mürbegebäck (süßer Keks)	Einzelnes Tablett	Standard-Tablett*	Ober-/Unterhitze	3	140	20 ... 30
Kleine Kuchen	Einzelnes Tablett	Standard-Tablett*	Ober-/Unterhitze	3	160	25 ... 35
	Einzelnes Tablett	Standard-Tablett*	Umluft	2	150	20 ... 30
Biskuitkuchen	Einzelnes Tablett	Runde Kuchenform, 26 cm Durchmesser mit Klemme auf Drahtgrill.**	Ober-/Unterhitze	2	160	30 ... 40
	Einzelnes Tablett	Runde Kuchenform, 26 cm Durchmesser mit Klemme auf Drahtgrill.**	Umluft	2	160	20 ... 30
Apfelkuchen	Einzelnes Tablett	Runde schwarze Metallform, 20 cm Durchmesser auf Drahtgrill.**	Ober-/Unterhitze	2	180	50 ... 70

Vorwärmen wird für alle Lebensmittel empfohlen.

\* Dieses Zubehör ist möglicherweise nicht im Lieferumfang Ihres Produkts enthalten.

\*\* Dieses Zubehör ist nicht im Lieferumfang Ihres Produkts enthalten. Es handelt sich um im Handel erhältliches Zubehör.

### Grillen

Lebensmittel	Zu verwendendes Zubehör	Position des Regals	Temperatur (°C)	Kochzeit (min) (ca.)
Toastbrot	Draht-Grill	4	250	1 ... 3
Fleischkloß (Rindfleisch) - 12 Stücke	Draht-Grill	4	250	20 ... 30

Wenden Sie das Grillgut nach 1/2 der gesamten Grillzeit.

Es wird empfohlen, für alle gegrillten Speisen 5 Minuten vorzuwärmen.

## 7 Reinigung und Wartung

### Allgemeine Hinweise zur Reinigung

#### ⚠ Allgemeine Vorsichtshinweise

- Lassen Sie das Gerät vor dem Reinigen immer gründlich abkühlen. Verbrennungsgefahr durch heiße Flächen!
- Tragen Sie die Reinigungsmittel nicht direkt auf die heißen Oberflächen auf. Dies kann zu dauerhaften Flecken führen.
- Das Gerät muss nach jedem Vorgang gründlich gereinigt und getrocknet werden. Deshalb müssen Speisereste leicht zu reinigen sein und ein Verbrennen dieser Rückstände zu verhindern sein, wenn das Gerät später wieder verwendet wird. Deshalb verlängert sich die Lebensdauer des Geräts und häufig auftretende Probleme werden verringert.
- Verwenden Sie zur Reinigung keine Dampf Reinigungsmittel.
- Einige Detergenzien oder Reinigungsmittel können die Oberfläche beschädigen. Verwenden Sie bei der Reinigung keine scheuernden Reinigungsmittel, Reinigungspulver, Reinigungscremes, Entkalker oder scharfe Gegenstände.
- Nach jedem Gebrauch ist kein spezielles Reinigungsmittel zum Reinigen erforderlich. Reinigen Sie das Gerät mit Spülmittel, warmem Wasser und einem weichen Tuch oder Schwamm. Anschließend trocknen Sie alles mit einem Mikrofasertuch gut ab.
- Achten Sie darauf, dass nach dem Reinigen keine Flüssigkeit im Ofeninneren zurückbleibt, entfernen

Sie Speisereste am besten gleich beim Kochen.

- Waschen Sie keine Bestandteile Ihres Gerätes in der Spülmaschine.

#### Inox und Edelstahlteile

- Verwenden Sie keine säure- oder chlorhaltigen Reinigungsmittel, um Oberflächen und Griffe aus Edelstahl oder Inox zu reinigen.
- Oberflächen aus Edelstahl oder Inox können mit der Zeit ihre Farbe ändern. Das ist normal. Reinigen Sie nach jedem Betrieb mit einem Reinigungsmittel, das für Oberflächen aus Edelstahl oder Inox geeignet ist.
- Reinigen Sie sie mit einem weichen Seifentuch und einem flüssigen (nicht kratzenden) Reinigungsmittel, das für Inox-Oberflächen geeignet ist, und wischen Sie sie in eine Richtung ab.
- Entfernen Sie Kalk-, Öl-, Stärke-, Milch- und Proteinflecken auf den Inox-Edelstahl- und Glasoberflächen, umgehend ohne zu warten. Bestimmte Flecken können bei längerer Einwirkzeit Rost verursachen.

#### Oberflächen

- Reinigen Sie die Emailoberflächen nach jedem Gebrauch mit Spülmittel, warmem Wasser und einem weichen Tuch oder Schwamm und trocknen Sie sie mit einem trockenen Tuch ab
- Wenn Ihr Gerät mit der „Einfache Dampfreinigung“-Funktion ausgestattet ist, können Sie leichte Verschmutzungen besonders bequem beseitigen. (Schauen Sie sich dazu den Abschnitt „Einfache Dampfreinigung“ an.)
- Bei anhaltenden Flecken können der auf der Website Ihrer Produktmarke empfohlene Ofen- und Grillreiniger und ein nicht kratzendes



Scheuerschwamm verwendet werden. Verwenden Sie keine minderwertigen Reinigungsmittel.

- Zum Reinigen muss das Gerät komplett abgekühlt sein. Beim Reinigen heißer Teile besteht Brandgefahr, zusätzlich können die Emailleoberflächen Schaden nehmen.

### **Katalytische Oberflächen**

- Die Wände des Ofeninnenraums sind mit Emaille oder einer speziellen katalytischen Schicht versehen. Dies ist je nach Modell unterschiedlich.
- Katalytische Wände erkennen Sie an einer matten, leicht porösen Oberfläche. Katalytische Wände sollten nicht gereinigt werden.
- Die katalytischen Flächen nehmen dank ihrer porösen Oberfläche im Laufe der Zeit Fett auf. Wenn diese zu glänzen beginnen, ist die Oberfläche mit Fett gesättigt. Wir empfehlen, diese Teile auszutauschen.

### **Glasflächen**

- Verzichten Sie beim Reinigen der Glasflächen auf Metallschaber und Scheuermittel. Solche Hilfsmittel können das Glas zerkratzen oder blind machen.
- Reinigen Sie das Gerät mit Spülmittel, warmem Wasser und einem Mikrofasertuch speziell für Glasoberflächen und trocknen Sie es mit einem trockenen Mikrofasertuch.
- Falls nach dem Reinigen Rückstände verbleiben sollten, wischen Sie diese mit kaltem Wasser ab, anschließend trocknen Sie mit einem sauberen trockenen Mikrofasertuch nach. Reinigungsmittelrückstände können das Glas beim nächsten Einsatz beschädigen.
- Versuchen Sie unter keinen Umständen, angetrocknete Reste am Glas mit Wellenschliffmessern,

Stahlwolle, Metallschabern oder ähnlichen Werkzeugen zu reinigen.

- Kalkflecken (gewöhnlich gelblich bis bräunlich, manchmal auch rötlich) am Glas beseitigen Sie am besten mit handelsüblichem Kalkentferner oder kalklösenden Hausmitteln.
- Wenn die Oberfläche stark verschmutzt ist, tragen Sie das Reinigungsmittel mit einem Schwamm auf den Fleck auf und warten Sie lange, bis er richtig funktioniert. Anschließend reinigen Sie die Glasfläche mit einem feuchten Tuch.
- Verfärbungen und Flecken auf den Glasflächen treten im Laufe der Zeit unweigerlich auf, dies ist völlig normal.

### **Kunststoff- und lackierte Teile**

- Reinigen Sie Kunststoff- und lackierte Teile mit Spülmittel, warmem Wasser und einem weichen Tuch oder Schwamm. Anschließend trocknen Sie alles mit einem trockenen Tuch gut ab.
- Verzichten Sie auf Metallschaber und Scheuermittel. Andernfalls können die Oberflächen Schaden nehmen.
- Stellen Sie sicher, dass die Verbindungen der Komponenten des Geräts nicht so feucht und mit Reinigungsmittel belassen werden. Andernfalls kann es zu Korrosion an diesen Verbindungen kommen.

### **Reinigung des Zubehörs**

Sofern in der Gebrauchsanweisung nicht anders angegeben, darf das Produktzubehör nicht in der Spülmaschine gereinigt werden.

### **Bedienfeld reinigen**

- Wischen Sie die Panele und die Knöpfe mit einem feuchten, weichen Tuch ab und trocknen Sie sie mit einem trockenen Tuch. Entfernen Sie nicht die Knöpfe und darunterliegenden Dichtungen, um

das Reinigen zu erleichtern. Das Bedienfeld und die Knöpfe können beschädigt werden.

- Verwenden Sie beim Reinigen der Inox-Bedienfelder mit Knopfgregler keine Inox-Reinigungsmittel um die Knöpfe. Die Anzeigen um die Knöpfe können gelöscht werden.
- Reinigen Sie die Sensorflächen mit einem weichen, leicht feuchten Tuch, trocknen Sie danach mit einem trockenen Tuch gut nach. Wenn Ihr Gerät mit einer Kindersicherung ausgestattet ist, stellen Sie diese vor dem Reinigen des Bedienfeldes ein. Andernfalls kann es zum ungewollten Auslösen verschiedener Funktionen kommen.

### **Reinigung der Innenseite des Ofens (Garraum)**

Befolgen Sie die im Abschnitt "Allgemeine Hinweise zur Reinigung" beschriebenen Reinigungsschritte entsprechend den Oberflächentypen in Ihrem Ofen.

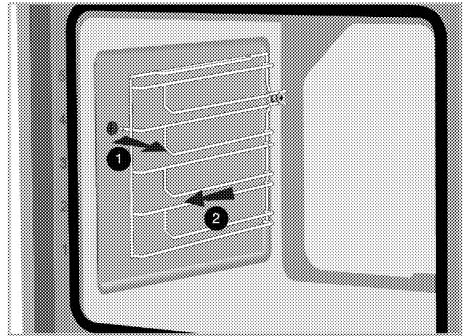
### **Reinigung der Seitenwände des Ofens**

Die Seitenwände im Garraum sind mit Emaille oder katalytischen Wänden verkleidet. Dies variiert je nach Modell. Wenn eine katalytische Wand vorhanden ist, finden Sie Informationen im Abschnitt "Katalytische Wände". Wenn Ihr Produkt mit Seitengittern ausgestattet ist, entfernen Sie diese bevor Sie die Seitenwände reinigen. Führen Sie dann die Reinigung, wie im Abschnitt "Allgemeine Hinweise zur Reinigung" beschrieben, entsprechend der Art der Seitenwände durch.

### **Entfernen der Seitengitter :**

1. Nehmen Sie das Vorderteil des Gestells heraus, indem Sie es von der Seitenwand wegziehen.

2. Ziehen Sie das Gestell komplett nach vorne heraus.



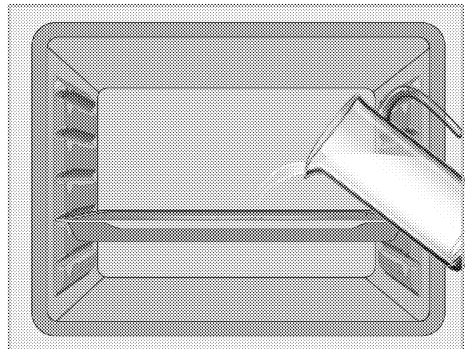
3. Zum Einbau gehen Sie in umgekehrter Reihenfolge vor.

### **Einfache Dampfreinigung**

**Sie variiert je nach Produktmodell. Möglicherweise ist es auf Ihrem Produkt nicht verfügbar.**

Diese Funktion gewährleistet eine einfache Reinigung, da Schmutz (der durch langes Warten eingetrocknet ist) mit dem im Inneren des Backofens entstehenden Dampf und den an den Innenflächen des Backofens kondensierenden Wassertropfen aufgeweicht wird.

1. Entfernen Sie sämtliches Zubehör aus dem Garraum.
2. Gießen Sie 500 ml Wasser in das Blech und platzieren Sie es im 2. Einschub des Ofens.



3. Stellen Sie den Backofen auf einfache Dampfreinigung ein, lassen Sie ihn bei 100 °C 15 Minuten laufen.

Öffnen Sie sofort die Tür und wischen Sie die Innenflächen des Ofens mit einem feuchten Schwamm oder Tuch ab. Beim Öffnen der Tür entweicht Dampf. Dies kann zu Verbrennungen führen. Seien Sie vorsichtig beim Öffnen der Ofentür.

Verwenden Sie zum Entfernen von hartnäckigem Schmutz am besten warmes Wasser mit etwas herkömmlichem Reiniger, ein weiches Tuch oder einen Schwamm und ein Tuch zum Trockenreiben.

**i** Während des einfachen Dampfreinigungsmodus verdunstet Wasser, das sich im Pool am Boden des Ofens befindet, um leicht gebildete Rückstände / Schmutz im Ofenraum zu erweichen, und kondensiert im Ofenraum und im inneren Glas der Ofentür. Daher kann Wasser tropfen wenn die Ofentür geöffnet ist. Wischen Sie das Kondenswasser ab, sobald die Ofentür geöffnet wird.

Sie variiert je nach Produktmodell. Möglicherweise ist es auf Ihrem Produkt nicht verfügbar. Durch die so erzeugte Kondensation im Ofen kann sich Wasser oder Feuchtigkeit im Auffangkanal unter dem Ofen ansammeln. Reinigen Sie diesen Poolkanal nach Gebrauch mit einem feuchten Tuch und trocknen Sie ihn anschließend ab.



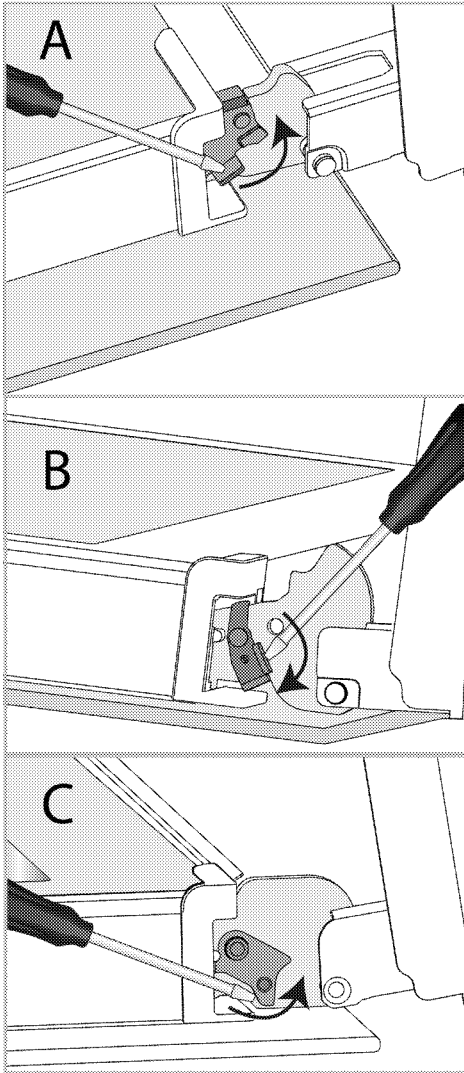
## Reinigung der Ofentür

**i** Verwenden Sie zur Reinigung der Ofentür und des Glases keine scharfen Scheuermittel, Metallschaber, Drahtwolle oder Bleichmittel.

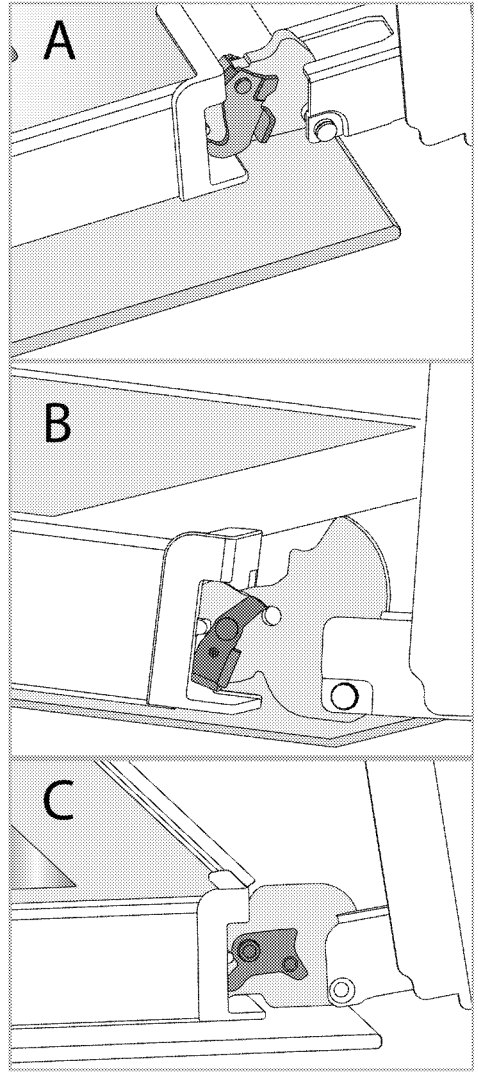
Sie können die Ofentür und das Türglas entfernen, um sie zu reinigen. Das Entfernen der Türen und Glasscheiben wird in den Abschnitten "Entfernen der Ofentür" und "Entfernen der Innenscheiben der Tür" erklärt. Reinigen Sie die Türinnenscheiben nach dem Entfernen mit einem Geschirrspülmittel, warmem Wasser und einem weichen Tuch oder Schwamm und trocknen Sie sie mit einem trockenen Tuch ab. Wischen Sie das Glas mit Essig ab und spülen Sie es dann gegen Kalkreste ab, die auf dem Ofenglas auftreten können.

### Entfernen der Ofentür

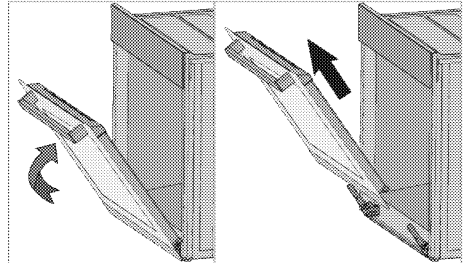
1. Öffnen Sie die Ofentür.
2. Öffnen Sie die Clips im Scharniergehäuse der Vordertür rechts und links, indem Sie wie in der Abbildung gezeigt nach unten drücken. Der Scharniertyp (A), (B), (C) variiert je nach Produktmodell. Die folgenden Abbildungen zeigen, wie alle Scharniertypen geöffnet werden.  
(A) Typ Scharnier ist in normalen Türtypen erhältlich.  
(B) Scharniere sind in weich schließenden Türtypen erhältlich.  
Das Scharnier vom Typ (C) ist als Tür mit weichem Öffnen / Schließen erhältlich.



Scharnier verschluss- geschlossene Position



Scharnier verschluss - offene Position  
3. Öffnen Sie die Ofentür zur Hälfte.



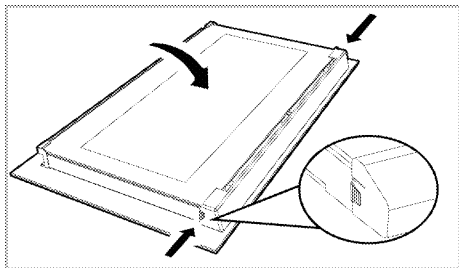
4. Ziehen Sie die halb geöffnete Tür nach oben, um sie aus dem rechten und linken Scharnier und zu entfernen.

**i** Der Einbau der Tür erfolgt in umgekehrter Reihenfolge. Achten Sie beim Einbau der Tür darauf, dass die Clips am Scharniergehäuse wieder geschlossen werden.

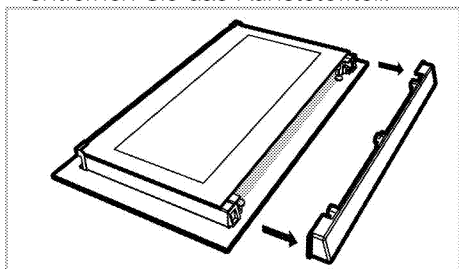
## Entfernen der Innenscheiben der Tür

Das Innenglas der Ofentür des Produkts kann zum Reinigen entfernt werden.

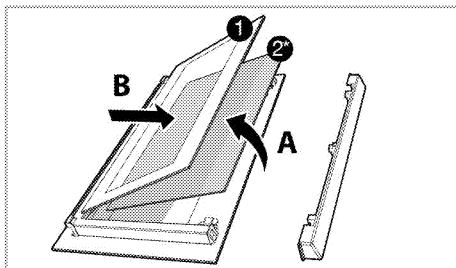
1. Öffnen Sie die Ofentür.



2. Ziehen Sie das oben auf die Vordertür montierte Kunststoffteil zu sich, indem Sie auf die Druckpunkte auf beiden Seiten des Teils drücken und entfernen Sie das Kunststoffteil.



3. Entfernen Sie, wie in der Abbildung gezeigt, das innerste Glas (1), indem Sie es leicht in Richtung 'A' anheben und in Richtung 'B' herausziehen.



1 Innerste Glasscheibe

2\* Innere Glasscheibe (Es ist möglicherweise nicht in Ihrem Produkt enthalten.)

4. Wenn Ihr Produkt über ein inneres Glas (2) verfügt, wiederholen Sie den gleichen Vorgang, um das innere Glas (2) zu entfernen.

5. Der erste Schritt zum Zusammensetzen der Tür besteht darin, das innere Glas (2) wieder anzubringen. Platzieren Sie die abgeschrägte Ecke des Glases so, dass sie mit der abgeschrägten Ecke der Kunststofffassung übereinstimmt. (Wenn Ihr Produkt über ein inneres Glas verfügt). Das innere Glas (2) muss in die Kunststofffassung nahe dem innersten Glas (1) installiert werden.

6. Beim Installieren des innersten Glases (1) muss darauf geachtet werden, dass die bedruckte Seite des Glases zum inneren Glas zeigt. Es ist wichtig, dass die untere Ecke des innersten Glases (1) so angeordnet sind, dass sie den unteren Kunststofffassungen entsprechen.

7. Drücken Sie das Kunststoffteil gegen den Rahmen bis es mit einem Klickgeräusch einrastet.

## Ofenbeleuchtung reinigen

Wenn die Glasabdeckung der Ofenbeleuchtung mit der Zeit verschmutzt, beseitigen Sie die Verschmutzung mit einem weichen Tuch

oder Schwamm, warmem Wasser und etwas Spülmittel. Anschließend reiben Sie das Glas mit einem trockenen Tuch gründlich trocken. Falls die Ofenbeleuchtung einmal ausfallen sollte, können Sie das Leuchtmittel anhand der nachstehenden Schritte selbst auswechseln.

### Ofenbeleuchtung austauschen

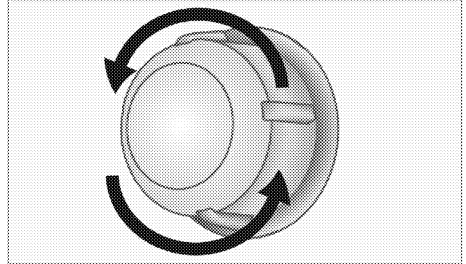
#### **⚠ Allgemeine Vorsichtshinweise**

- Bevor Sie die Ofenbeleuchtung auswechseln, sorgen Sie dafür, dass das Gerät vollständig von der Stromversorgung und komplett abgekühlt ist. Ansonsten drohen Verbrennungs- und Stromschlaggefahr.  
Verbrennungsgefahr durch heiße flächen.
- In diesem Backofen wird eine Glühlampe mit einer Leistung von weniger als 40 W, einer Höhe von weniger als 60 mm, einem Durchmesser von weniger als 30 mm oder eine Halogenlampe mit Fassungsstyp G9, einer Leistung von weniger als 60 W verwendet. Die Lampen sind für den Betrieb bei Temperaturen über 300 °C geeignet. Backofenlampen sind bei autorisierten Servicepartnern oder Technikern mit Lizenz erhältlich.
- Die Lage der Beleuchtung muss nicht zwingend mit der Lage in der Abbildung übereinstimmen.
- Das in Ihrem Gerät verwendete Leuchtmittel eignet sich nicht zur regulären Zimmerbeleuchtung. Der Zweck dieser Lampe besteht einzig und allein darin, dass Sie beim Garen sehen können, was im Inneren des Ofens geschieht.
- Die mit Ihrem Gerät verwendeten Leuchtmittel müssen hohe,

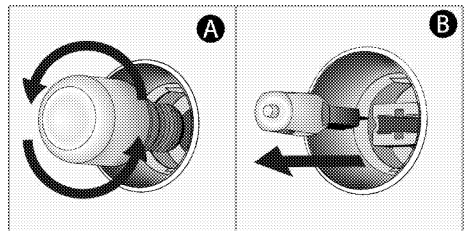
Temperaturen über 50 °C aushalten können.

#### **Wenn Ihr Ofen mit einer runden Beleuchtung ausgestattet ist:**

1. Trennen Sie das Gerät vollständig von der Stromversorgung.
2. Lösen Sie die Glasabdeckung durch Drehen gegen den Uhrzeigersinn.



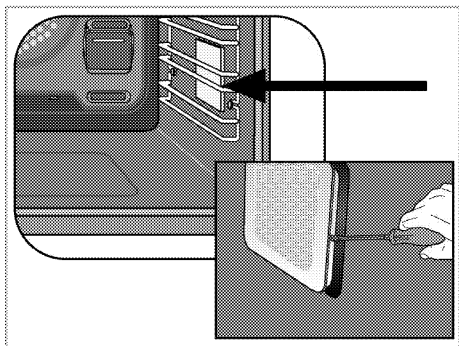
3. Wenn Ihre Ofenbeleuchtung dem Typ A in der nachstehenden Abbildung entspricht, drehen Sie das Leuchtmittel wie in der Abbildung gezeigt heraus, setzen Sie dann ein neues Leuchtmittel ein. Wenn Ihr Gerät Typ B verwendet, ziehen Sie das Leuchtmittel wie in der Abbildung gezeigt heraus, danach setzen Sie das neue Leuchtmittel ein.



4. Bringen Sie die Glasabdeckung wieder an.

#### **Wenn Ihr Ofen mit einer viereckigen Beleuchtung ausgestattet ist:**

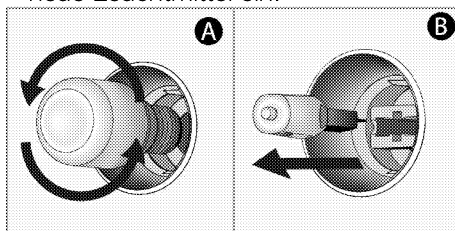
1. Trennen Sie das Gerät vollständig von der Stromversorgung.
2. Nehmen Sie die Seitengitter wie in der Anleitung beschrieben heraus.



3. Heben Sie die Glasabdeckung des Leuchtmittels mit einem Schraubendreher an.

4. Wenn Ihre Ofenbeleuchtung dem Typ A in der nachstehenden Abbildung entspricht, drehen Sie das Leuchtmittel wie in der Abbildung

gezeigt heraus, setzen Sie dann ein neues Leuchtmittel ein. Wenn Ihr Gerät Typ B verwendet, ziehen Sie das Leuchtmittel wie in der Abbildung gezeigt heraus, danach setzen Sie das neue Leuchtmittel ein.



5. Bringen Sie die Glasabdeckung wieder an.

## **8 Problemlösungen**

Falls sich ein Problem nicht mit den folgenden Hinweisen lösen lassen sollte, wenden Sie sich bitte an den autorisierten Kundendienst oder an den Händler, bei dem Sie das Gerät gekauft haben. Versuchen Sie niemals, ein defektes Gerät selbst zu reparieren.

### **Aus dem Backofen tritt im Betrieb Dampf aus**

- Während des Betriebs ist ein Dampfaustritt normal. >>> *Dies ist kein Fehler.*

### **Beim Kochen bilden sich Wassertropfen.**

- Der beim Kochen entstehenden Dampf kann sich niederschlagen und Wassertröpfchen bilden, wenn er mit den kälteren Flächen des Gerätes in Berührung kommt. >>> *Dies ist kein Fehler.*

### **Beim Aufheizen und Abkühlen sind metallische Geräusche zu hören.**

- Wenn sich die Temperatur von Metallteilen ändert, dehnen sich diese aus oder ziehen sich zusammen – dabei entstehen Geräusche. >>> *Dies ist kein Fehler.*

### **Das Gerät funktioniert nicht.**

- Die Sicherung ist durchgebrannt oder ausgelöst. >>> *Kontrollieren Sie die Sicherungen im Sicherungskasten. Bei Bedarf austauschen oder zurücksetzen.*
- Das Gerät ist nicht richtig an die (geerdete) Steckdose angeschlossen. >>> *Überprüfen Sie die Steckerverbindung.*
- Die Tasten/Knöpfe am Bedienfeld funktionieren nicht. >>> *Wenn Ihr Produkt mit einer Tastensperre ausgestattet ist, ist möglicherweise die Tastensperre, Die Tastensperre ist eventuell aktiv. Bitte abschalten.*

### **Die Ofenbeleuchtung funktioniert nicht.**

- Das Leuchtmittel ist defekt. >>> *Tauschen Sie das Leuchtmittel aus.*
- Die Stromversorgung wurde unterbrochen. >>> *Überprüfen Sie die Stromversorgung. Kontrollieren Sie die Sicherungen im Sicherungskasten. Sicherungen bei Bedarf austauschen oder zurücksetzen.*

### **Backofen heizt nicht.**

- Passende Garfunktion und/oder Temperatur nicht eingestellt. >>> *Stellen Sie den Ofen auf die richtige Garfunktion und/oder Temperatur ein.*
- Die Stromversorgung wurde unterbrochen. >>> *Überprüfen Sie die Stromversorgung. Kontrollieren Sie die Sicherungen im Sicherungskasten. Sicherungen bei Bedarf austauschen oder zurücksetzen.*